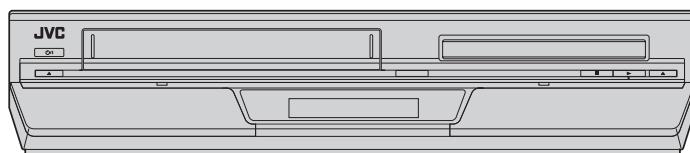


JVC

SERVICE MANUAL

DVD PLAYER & VIDEO CASSETTE RECORDER

HR-XV38SAA, HR-XV38SAS



HR-XV38SAA, HR-XV38SAS [D5PV1]

G-CODE® / SHOWVIEW™
(AS model)

G-CODE® Hi-Fi **VHS**
(AA model) PAL NTSC

SQPB **3D**
3D-PHONIC

DVD VIDEO **dtc** **DOLBY DIGITAL**
2.0+DIGITAL OUT

COMPACT disc DIGITAL VIDEO **COMPACT disc SUPER VIDEO** **COMPACT disc DIGITAL AUDIO**

For disassembling and assembling of MECHANISM ASSEMBLY, refer to the SERVICE MANUAL No.86700 (MECHANISM ASSEMBLY).
Regarding service information other than these sections, refer to the service manual No. YD051 (HR-XV48EX).
Also, be sure to note important safety precautions provided in the service manual.

TABLE OF CONTENTS

1	PRECAUTION	1-3
2	SPECIFIC SERVICE INSTRUCTIONS	1-3
3	DISASSEMBLY	1-4
4	ADJUSTMENT	1-4
5	TROUBLESHOOTING	1-8

SPECIFICATION

GENERAL	
Power requirement	AC 110 V - 240 V, 50 Hz/60 Hz
Power consumption	
Power on	23 W
Power off	4.5 W
Temperature	
Operating	5°C to 40°C
Storage	-20°C to 60°C
Operating position	Horizontal only
Dimensions (W × H × D)	435 mm × 93 mm × 272 mm
Weight	4.2 Kg
Format	VHS PAL/NTSC standard
Maximum recording time	
(SP)	240 min. with E-240 video cassette(PAL/MESECAM) 160 min. with T-160 video cassette(NTSC)
(LP)	480 min. with E-240 video cassette(PAL/MESECAM)
(EP)	480 min. with T-160 video cassette(NTSC)
VIDEO/AUDIO (VHS deck)	
Signal system	PAL-type colour signal and CCIR monochrome signal, 625 lines/50 fields NTSC colour and EIA monochrome signal, 525 lines/60 fields.
Recording system	DA4 (Double Azimuth) head helical scan system
Signal-to-noise ratio	45 dB
Horizontal resolution	250 lines (PAL/MESECAM), 220 lines (NTSC)
Frequency range	70 Hz to 10,000 Hz (Normal audio) 20 Hz to 20,000 Hz (Hi-Fi audio)
Input/Output	RCA connectors: IN × 2, OUT × 1
VIDEO/AUDIO (DVD deck)	
Signal system	NTSC 3.58
Applicable disc	DVD (12 cm, 8 cm), CD (12 cm, 8 cm)
Audio characteristics	DVD:4 Hz - 22 KHz
Frequency response	CD:4 Hz - 20 KHz
S/N Ratio	90 dB
Wow and flutter	Below Measurable Level
Dynamic range	90 dB
Output	
Component-Y	(RCA) 1.0 Vp-p/75 Ω
Component- PB /PR	(RCA) 0.7 Vp-p/75 Ω
Audio	(RCA) 2 Vrms, 1 KΩ
Digital Audio	-21 dBm to -15 dBm(peak)
TUNER/TIMER(VHS deck)	
TV channel storage capacity	99 positions (+AUX position)
Tuning system	Frequency synthesized tuner
Channel coverage	VHF(low) : 42 MHz-175 MHz VHF(high) : 175 MHz-470 MHz UHF : 470 MHz-870 MHz
Aerial output	UHF channels (Adjustable E28-E60)
Program capacity	1-year programmable timer / 8 programs
Memory backup time	Approx. 10 min.
ACCESSORIES	
Provided accessories	RF cable, Infrared remote control unit, "R6" battery × 2

- Specifications shown are for SP mode unless otherwise specified.
- E.& O.E. Design and specifications subject to change without notice.
- Manufactured under license from Dolby Laboratories. "Dolby" and the double-D symbol are trademarks of Dolby Laboratories.
- "DTS" and "DTS2.0+ Digital Out" are trademarks of Digital Theater Systems, Inc.
- G-CODE is a trademark of Gemstar Development Corporation and is registered in the following countries: Australia, China, Hong Kong, Japan, South Korea, New ealand, and Taiwan. SHOWVIEW is a trademark of Gemstar Development Corporation and is registered in the following countries:Austria, Belgium, Czech Republic, Denmark, Finland, France, Germany, Hungary, Iceland, Italy, Luxembourg, Netherlands, Norway, Poland, Portugal, Russia, Slovakia, South Africa, Spain, Sweden and Switzerland. The G-CODE/SHOWVIEW system is manufactured under license from Gemstar Development Corporation.
G-CODE and SHOWVIEW are different trademarks used to represent the same easy recording feature. However, for simplicity, only the term G-CODE will be used in the instructions. If you use SHOWVIEW system, follow the same steps listed for the G-CODE system (AS MODEL).
- G-CODE is a registered trademark of Gemstar Development Corporation. The G-CODE system is manufactured under license from Gemstar Development Corporation (AA MODEL).

SECTION 1 PRECAUTION

Please refer to "HR-XV48EX No.YD051" about this section.

SECTION 2 SPECIFIC SERVICE INSTRUCTIONS

Please refer to "HR-XV48EX No.YD051" about this section except a written item.

2.1 DIFFERENT TABLE OF FEATURE

The following table indicates main different points between models HR-XV48EX, HR-XV38SAA and HR-XV38SAS.

MODEL NAME	HR-XV48EX	HR-XV38SAA	HR-XV38SAS
POWER VOLTAGE	220-240V, 50/60Hz	110-240V, 50/60Hz	←
POWER PLUG	CEE	SAA	CEE
POWER SAVE	DISPLAY OFF, MENU	NOT USED	←
HEAD CLEANER	NOT USED	USED	←
CINNECTOR AND BUTTON COVER	NOT USED	USED	←
SHUTTLE SEARCH(LATCH)-NTSC	NOT USED	SPx7, EPx21	←
VIDEO SYSTEM(VHS)	PAL/MESECAM(MANUAL)/ NTSC PB on PAL TV with HiFi	PAL/MESECAM/NTSC3.58/ 4.43/NTSC PB on PAL TV with HiFi	←
SQPB	PAL(SP/LP)	PAL(SP)/NTSC(SP)	←
RECORDING & PLAYBACK SPEED	SP, LP	PAL:SP, LP/NTSC:SP, EP	←
REAR L-1 INPUT	SCART IN/OUT(RGB)	PIN JACK	←
REAR L-2 INPUT	SCART(DECODER)	NOT USED	←
AV OUTPUT	AUDIO(L/R)	VIDEO, AUDIO(L/R)	←
COMPONENT VIDEO OUTPUT	NOT USED	DVD:Y/Pb/Pr	←
DVD AUDIO OUT	NOT USED	AUDIO (L/R)	←
DVD VIDEO OUT	NOT USED	S-OUTPUT	←
BROADCASTING STANDARD	B/G, D/K	B/G, D/K, I	←
STEREO DECODER	NICAM/A2	A2(B, G), NICAM(I, B, G, D, K)	←
RF OUT CH/RF OUT SYSTEM[INITIAL]	22-69CH, OFF[AUTO]/G, K	28-60[36]CH, G, [H], K, I	28-60[36]CH, [G], H, K, I
AUTO CLOCK / JUST CLOCK	USED	NOT USED	←
VCR PLUS+	SHOWVIEW	G-CODE	SHOWVIEW
AUTO GUIDE CH SET	USED	NOT USED	←
REC LINK / INPUT	YES/L-2	YES/L-1	←
VPS/PDC	USED	NOT USED	←
OSD LANGUAGE [VHS]	13 LANGUAGES	ENGLISH	ENGLISH/RUSSIAN/ARABIC
OSD LANGUAGE [DVD]	ENGLISH/FRENCH/GERMANY	ENGLISH	ENGLISH/RUSSIAN/ARABIC
T-V LINK	USED	NOT USED	←
DVD PROGRESSIVE	NOT USED	USED	←
DVD X1.5 SPEED PLAYBACK	USED	NOT USED	←
DivX	USED	NOT USED	←
REGIONAL CODE	REGIONAL CODE : 2	REGIONAL CODE : 4	REGIONAL CODE : 2

Note:

Mark ← as same as left.

SECTION 3 DISASSEMBLY

Please refer to "HR-XV48EX No.YD051" about this section.

SECTION 4 ADJUSTMENT

Please refer to "HR-XV48EX No.YD051" about this section except a written item.

4.1 Electrical adjustment [VHS SECTION]

Adjustment procedure are changed.

4.1.1 Servo circuit

4.1.1.1 Slow tracking preset

Signal	(A1)	Ext. input
	(A2)	Color (colour) bar signal [PAL]
	(A3)	Color (colour) bar signal [NTSC]
Mode	(B1)	VHS SP
	(B2)	VHS LP (or EP)
Measuring point	(D)	TV-Monitor
Adjustment part	(F)	Jig RCU: Code "43-71" or "43-72"
Specified value	(G)	minimum noise
Adjustment tool	(H)	Jig RCU [PTU94023B]

- (1) Record the signal (A2) in the mode (B1), and play back the recorded signal.
- (2) Set the VCR to the manual tracking mode.
- (3) Set the VCR to the FWD slow (+1/6x) mode.
- (4) Transmit the code (F) from the Jig RCU to adjust so that the noise bar becomes the specified value (G) on the TV monitor in the slow mode.
- (5) Set the VCR to the stop mode.
- (6) Confirm that the noise bar is (G) on the TV monitor in the slow mode.
- (7) Repeat steps (1) to (6) in the mode (B2).
- (8) Record the signal (A3) in the mode (B1), and play back the recorded signal.
- (9) Repeat steps (2) to (6)
- (10) Repeat steps (8) and (9) in the mode (B2).

Note:

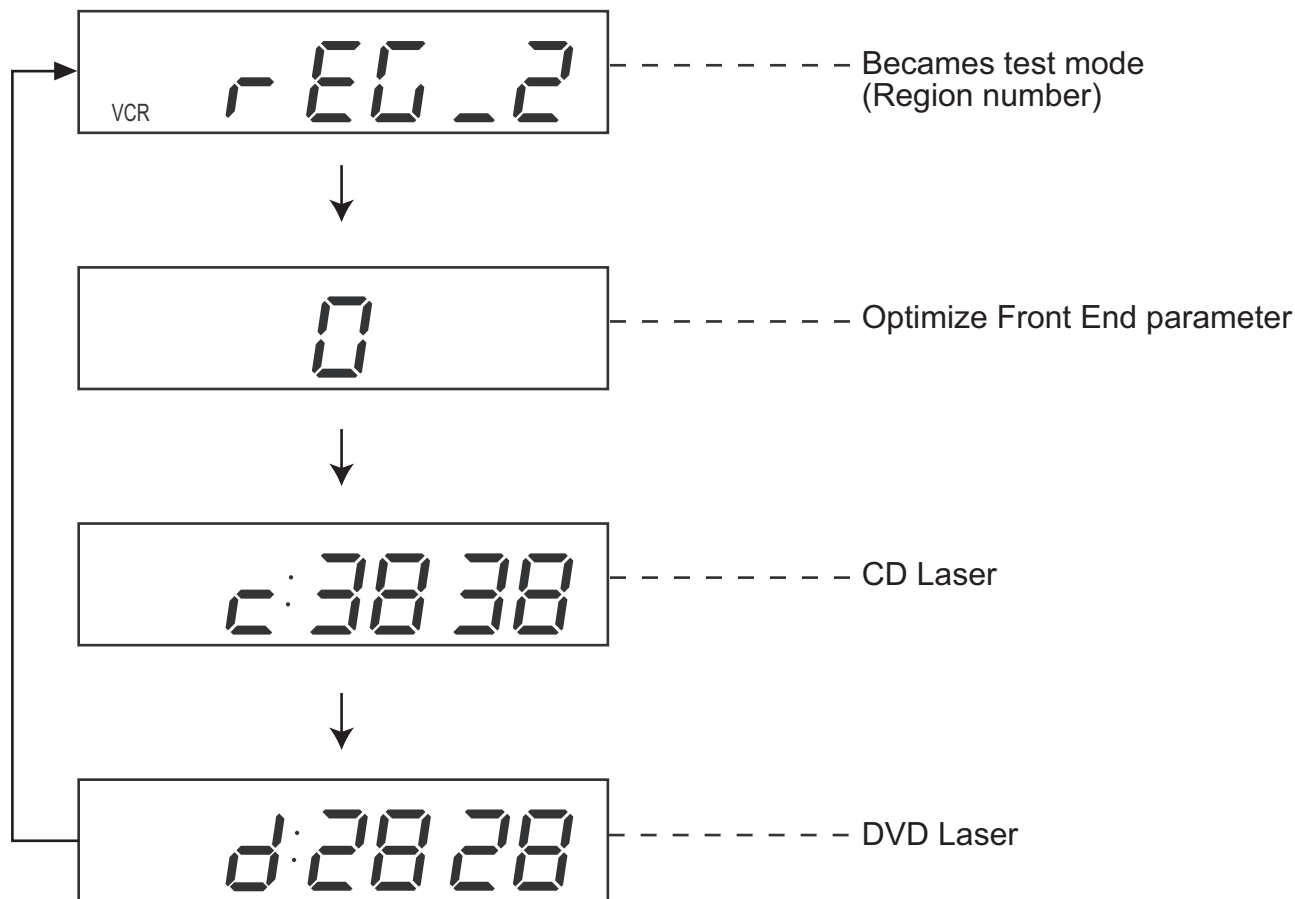
For FWD slow (+1/6x) playback, transmit the code "43-08" from the Jig RCU to enter the slow playback mode.

4.2 Electrical adjustment (DVD SECTION)

4.2.1 Test mode setting method

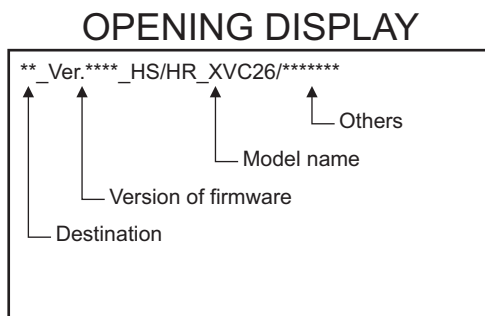
- (1) Press POWER button to turn off the unit.
- (2) Press the following remote keys continuously within 2seconds " SET UP " → " 2 " → " 8 " → " ENTER ".
- (3) The unit becomes Jig RCU mode.
- (4) Press POWER button then press VCR/DVD repeatedly so that the DVD indicator lights up.
- (5) Press the POWER button again to turn off the unit.
- (6) Transmit the code " 43-FA " from the Jig RCU.
- (7) The power supply of the unit turns on automatically then the FDP shows the region number.
- (8) Each pressing of DISPLAY button of the remote controller in test mode as follows.
- (9) To release test mode, press POWER key of the front panel.

FDP(Example)



4.2.2 Method of displayed version of firmware

- (1) Set the unit to the test mode.
- (2) The version number is displayed in the monitor screen.



4.2.3 Initialization method

Please initialize according to the following procedures in the following case:

- Just after you upgrade the firmware.
- After you confirm the symptoms that a customer points out. First Initialize, and then confirm whether the symptoms are improved or not.
- After servicing, before returning the main body to a customer. (Initialized unit should be returned to a customer.)
 - (1) Set the unit to the test mode.
 - (2) Press PAUSE key of the remote controller or transmit the code "43-6F" from the Jig RCU.
 - (3) When initialization is completed, the PLAY (▶). mark is indicated in the FDP.

4.2.4 All-initialization method

Please perform all-initialization according to the following procedures in the following case:

- Just after you exchange the pick-up.
- Just after you exchange the spindle motor.
- Just after you exchange the traverse mechanism base.

NOTE:

Please perform all-initialization when you exchange the parts above and also when you remove the parts above.

- (1) Set the unit to the test mode.
- (2) Press the REVERSE SKIP/INDEX (⏮) key of the remote controller for more than 2 seconds.
- (3) When initialization is completed, the PLAY (▶). mark is indicated in the FDP.

NOTE:

After all-initialization, be sure to perform optimization adjustment of Front End parameter.

4.2.5 Optimization adjustment of Front End parameter

Adjustment to optimize Front End parameter must be performed in each mechanism assembly of this model for high-speed starting. Please perform optimization according to the following procedures just after all-initialization is completed and when FDP shows anything except "0" (For example when FDP shows "1", "2", and "3") at test mode.

- (1) Set the unit to the test mode.
- (2) The FDP shows the region number first.
- (3) Press the DISPLAY key of the remote controller and check that FDP shows the number.
- (4) Press the DISPLAY key again to return the region number.

NOTE:

Status of this adjustment can be judged by the number displayed at test mode as follows:

DVD adjustment	CD adjustment	FDP at test mode
Adjusted	Adjusted	0
Not adjusted	Adjusted	1
Adjusted	Not adjusted	2
Not adjusted	Not adjusted	3

NOTE:

As for a disc used for adjustment,

- Disc should be mounted. ("Mounting" means to display "READ" after the disc is inserted and then display the disc information.) Disc need not be played.
- If you do not have test disc either VT-501 (DVD) or CTS-1000 (CD-DA), use a commercial disc (for DVD, dual-layer software) after seeing and checking that the disc is neither curved nor foreseen that it may shake at the time of playback. If you use a disc with bad features, starting time may be slow or disc may not be read.

4.2.6 Upgrading of firmware

- Firmware update disc supports CD-R media.
- When firmware update is necessary, information is available from the homepage of DIGITAL VIDEO STORAGE CATEGORY, CS group.

4.2.6.1 Creating an update disc

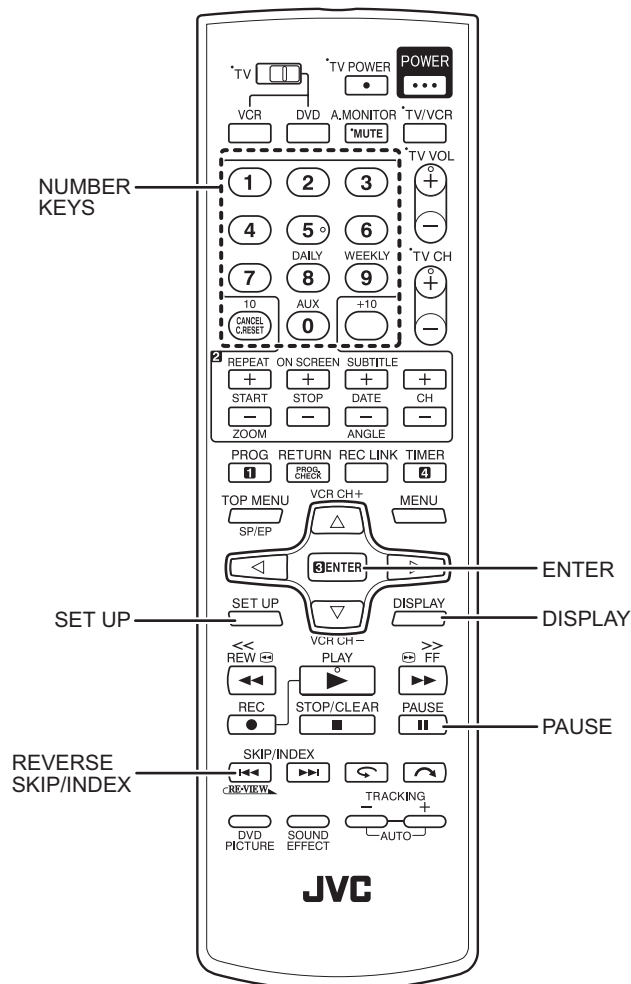
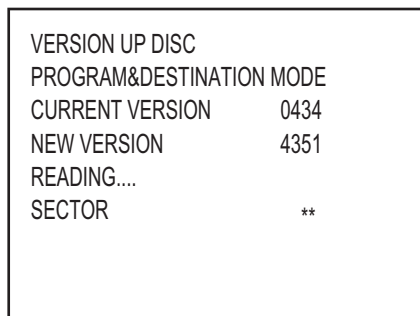
Please check the details of the update disc creation method by JS-NET.

- (1) Down load the update file from JS-NET.
- (2) Write the update file into CD-R. Pay attention in the following points when writing the update disc.
 - Make sure to write in "Disc at Once".
 - Set the file compatibility to "ISO9660 format".

4.2.6.2 Update procedure

- (1) Turn the power ON. Load the update disc on the tray and close the tray.
- (2) Update of the firmware starts automatically then upgrading status is displayed in the monitor screen.
- (3) The tray opens automatically. Remove the upgrade disc.
- (4) Close the tray then press the POWER button to turn off the unit.
- (5) Confirm the version of the firmware.in the test mode.

MONITOR(Example)



SECTION 5 TROUBLESHOOTING

Please refer to "HR-XV48EX No.YD051" about this section.



JVC

Victor Company of Japan, Limited

AV & MULTIMEDIA COMPANY DIGITAL VIDEO STORAGE CATEGORY 12, 3-chome, Moriya-cho, kanagawa-ku, Yokohama, kanagawa-prefecture, 221-8528, Japan

(No.YD061)



Printed in Japan
VPT

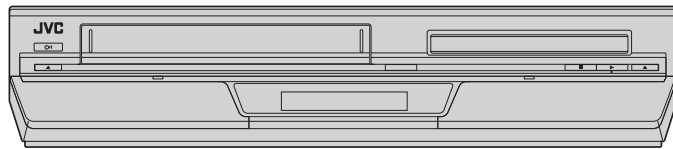
JVC

SCHEMATIC DIAGRAMS

DVD PLAYER & VIDEO CASSETTE RECORDER

HR-XV38SAA, HR-XV38SAS

CD-ROM No.SML200505



HR-XV38SAA, HR-XV38SAS [D5PV1]

G-CODE[®]/SHOWVIEW[™]
(AS model)

G-CODE[®] Hi-Fi **VHS**
(AA model) PAL NTSC

SQPB **3D**
3D-PHONIC

DVD VIDEO **dtc** **DOLBY DIGITAL**
2.0+DIGITAL OUT

COMPACT disc DIGITAL VIDEO **COMPACT disc SUPER VIDEO** **COMPACT disc DIGITAL AUDIO**

For disassembling and assembling of MECHANISM ASSEMBLY, refer to the SERVICE MANUAL No.86700 (MECHANISM ASSEMBLY).
Regarding service information other than these sections, refer to the service manual No. YD051 (HR-XV48EX).
Also, be sure to note important safety precautions provided in the service manual.

CHARTS AND DIAGRAMS

■ TERMINAL(I/O) SCHEMATIC DIAGRAM

5

4

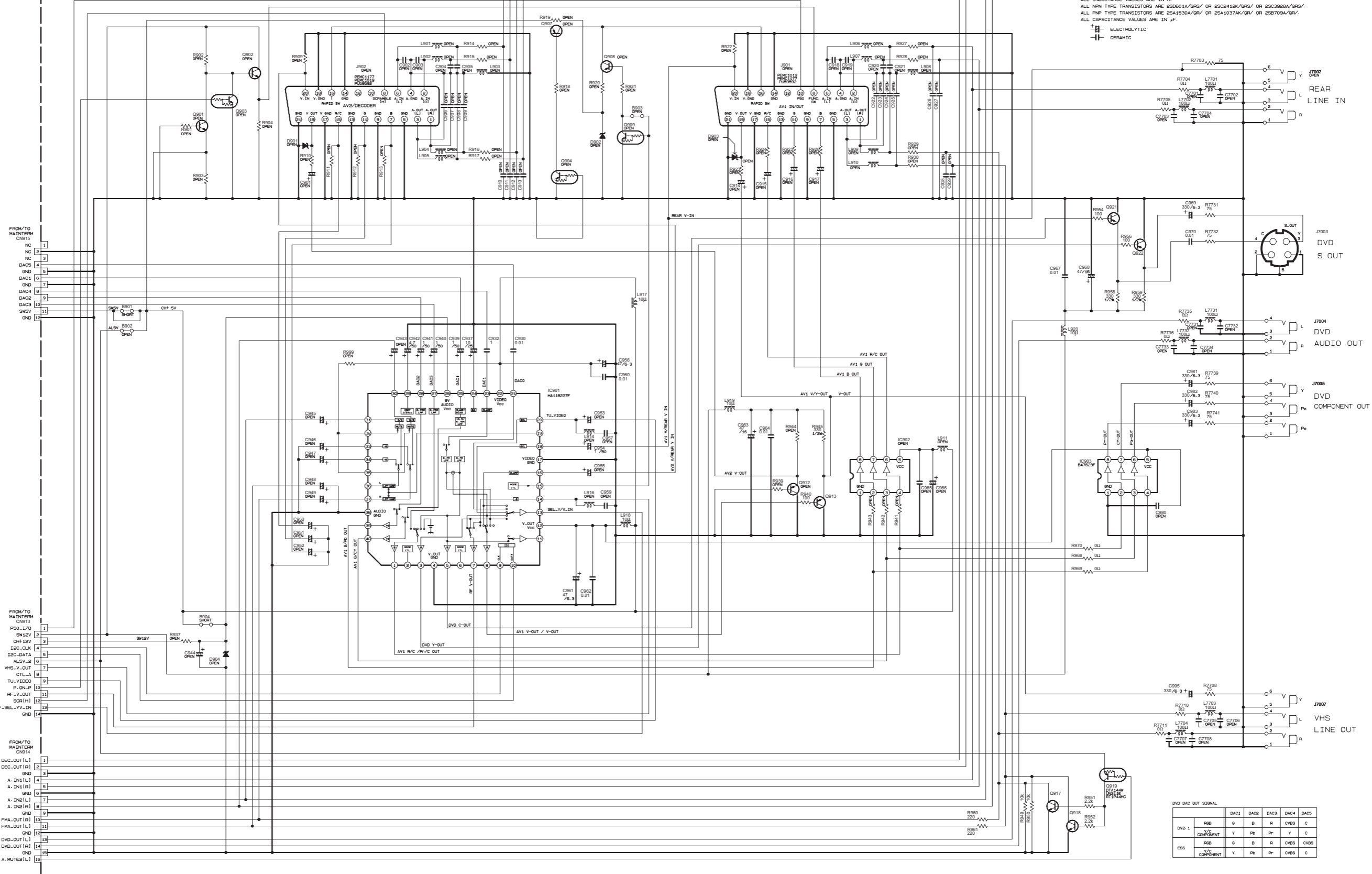
3

2

1

06 TERMINAL (I/O)

NOTES: UNLESS OTHERWISE SPECIFIED:
 ALL RESISTANCE VALUES ARE IN OHMS.
 ALL INDUCTANCE VALUES ARE IN H.
 ALL NPN TYPE TRANSISTORS ARE 2SD261A/GRS/ OR 2SC2412K/GRS/ OR 2SC3928A/GRS/.
 ALL PNP TYPE TRANSISTORS ARE 2SA1530A/GRV/ OR 2SA1037AK/GRV/ OR 2SB709A/GRV/.
 ALL CAPACITANCE VALUES ARE IN μ F.
 ELECTROLYTIC
 CERAMIC



DVD DAC OUT SIGNAL

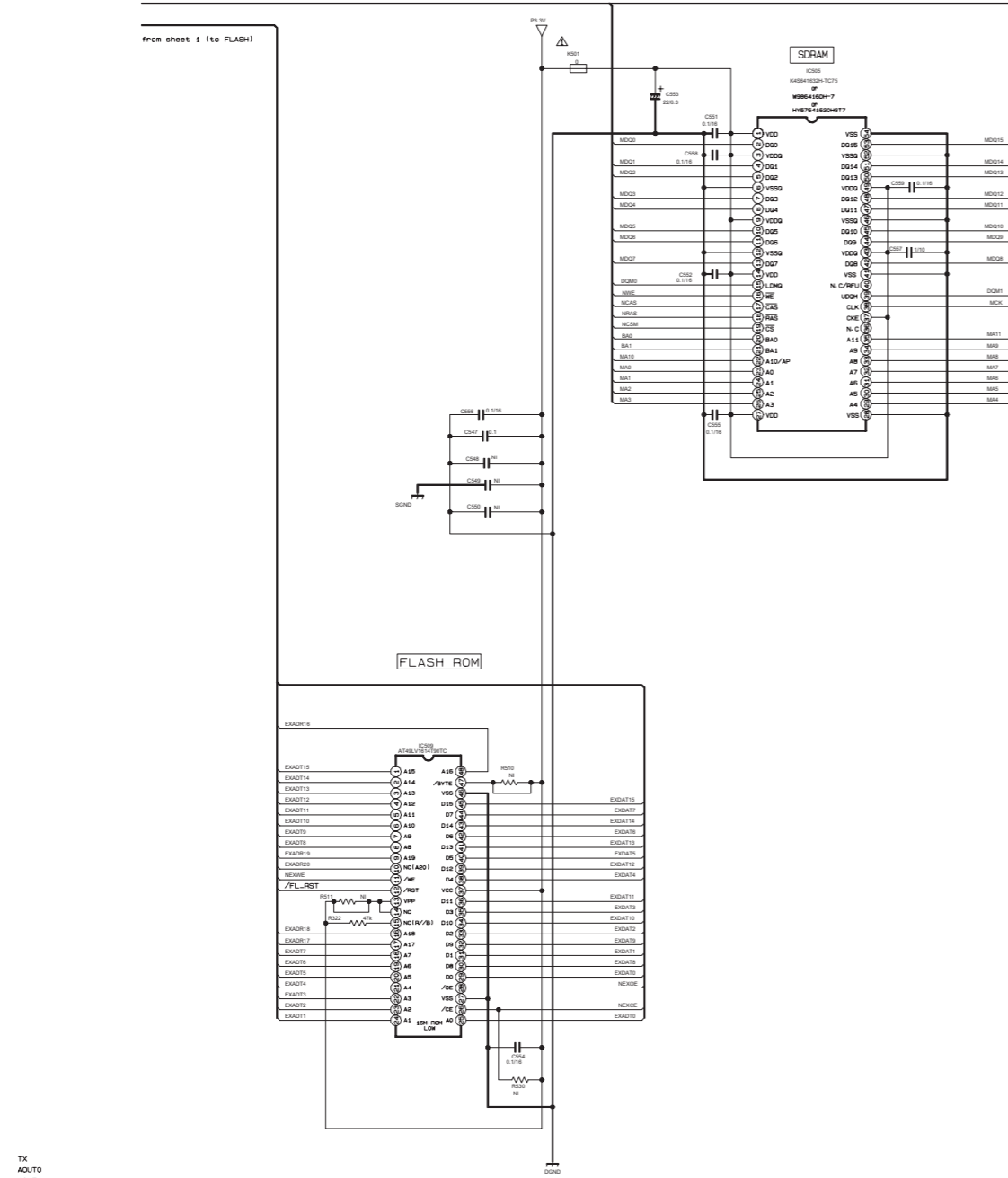
DV2-1	RGB	Y/C COMPONENT	DAC1	DAC2	DAC3	DAC4	DAC5
RGB	G	B	R	CVBS	C		
Y/C COMPONENT	Y	Pb	Pc	Y	C		
RGB	G	B	R	CVBS	CVBS		
ESS COMPONENT	Y	Pb	Pc	CVBS	C		

DVD FLASH ROM SCHEMATIC DIAGRAM

LVA10452-231B(2/2)

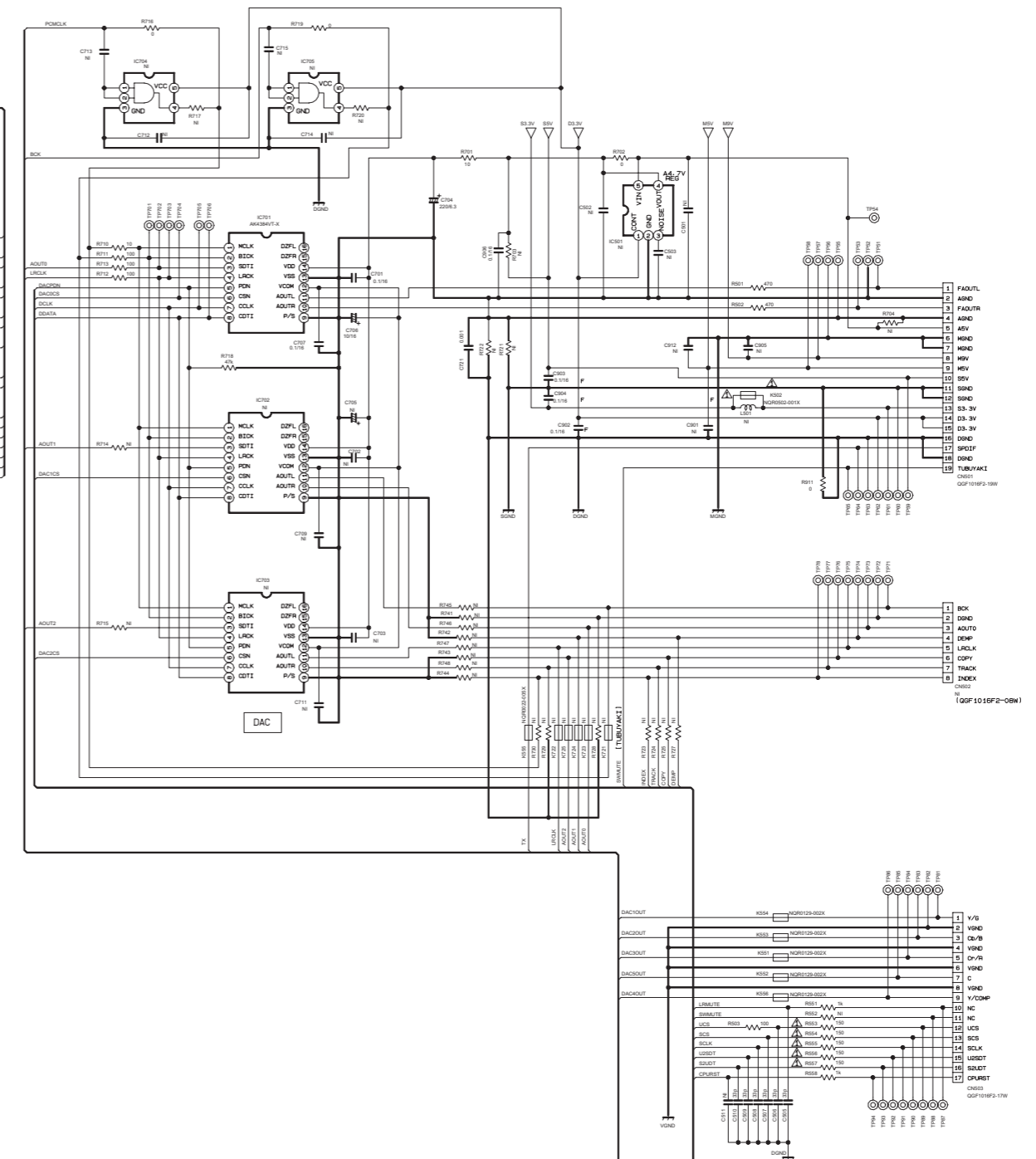
from sheet 1 (to SDRAM)

from sheet 1 (to FLASH)



- TX
- AOUT0
- AOUT1
- AOUT2
- AOUT3
- BCK
- LRCLK
- POMCLK
- DAC1OUT
- DAC2OUT
- DAC3OUT
- DAC4OUT
- DAC5OUT
- DAC6OUT
- INDEX
- TRACK
- COPY
- DEMP

- DACPRN
- UCS
- SCS
- SCLK
- USRST
- SURST
- SURST
- DCLK
- DDATA
- DACC0S
- DAC1CS
- DAC2CS
- LRMUTE
- SMMUTE
- CPLRST



- TX
- AOUT0
- AOUT1
- AOUT2
- AOUT3
- BCK
- LRCLK
- POMCLK
- DAC1OUT
- DAC2OUT
- DAC3OUT
- DAC4OUT
- DAC5OUT
- DAC6OUT
- INDEX
- TRACK
- COPY
- DEMP

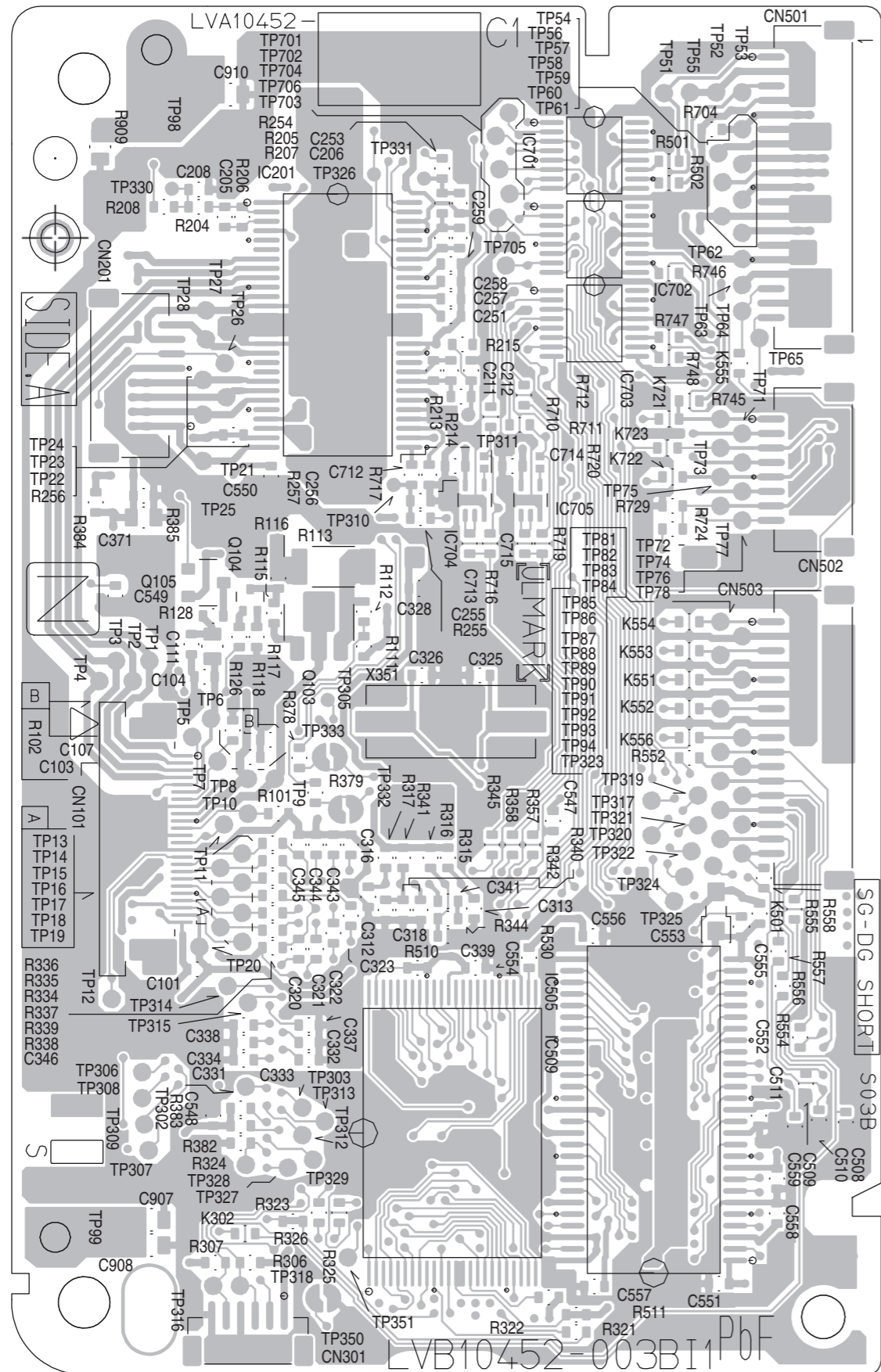
- DACPRN
- UCS
- SCS
- SCLK
- USRST
- SURST
- SURST
- DCLK
- DDATA
- DACC0S
- DAC1CS
- DAC2CS
- LRMUTE
- SMMUTE
- CPLRST

A B C D 2-5 2-6 E F G

■ DVD SERVO CONTROL CIRCUIT BOARD

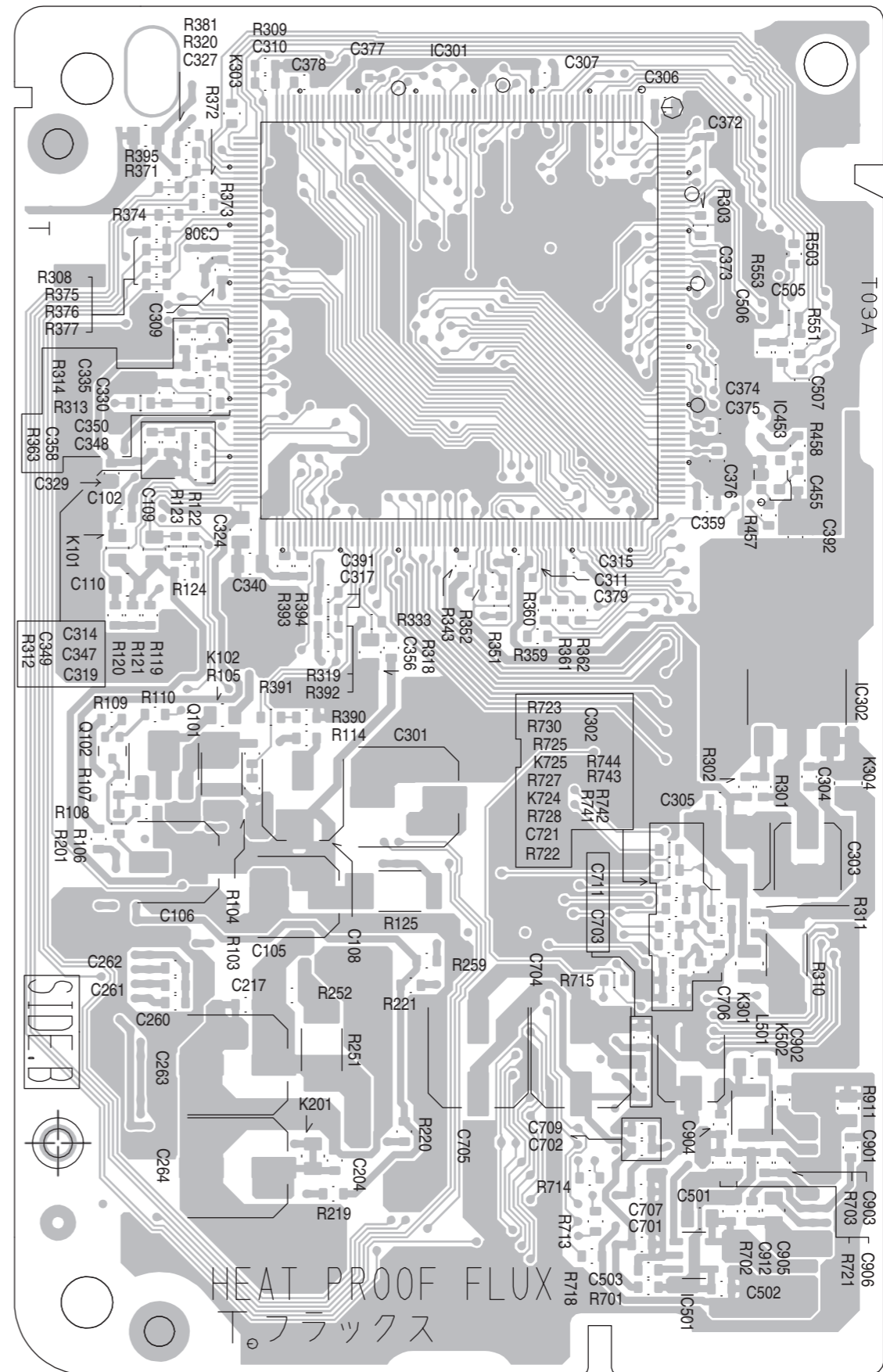
<99> DVD SERVO CONTROL
LVB10452-003B

-COMPONENT SIDE-



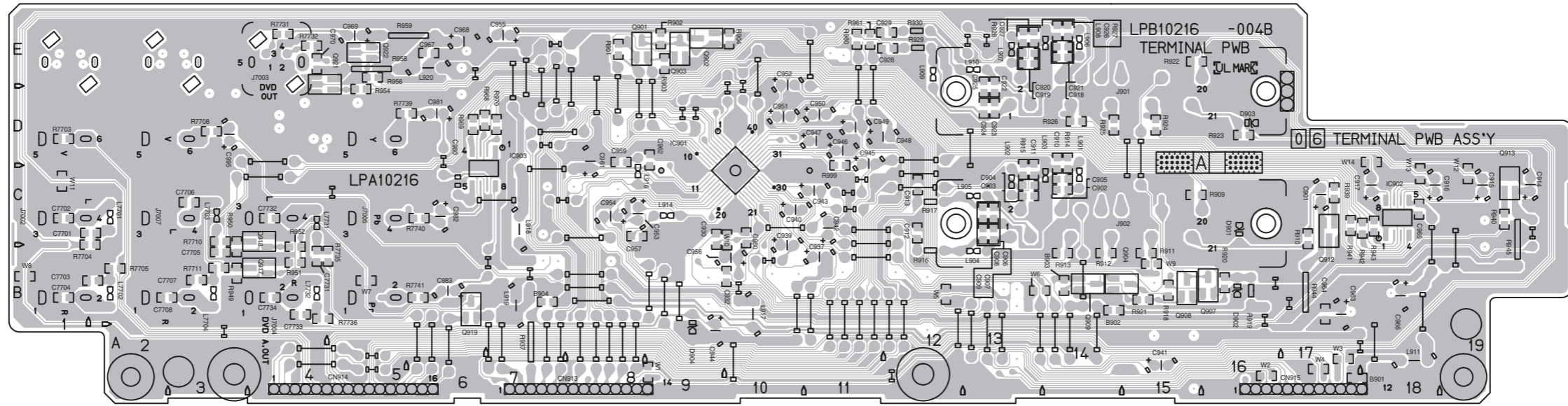
<99> DVD SERVO CONTROL
LVB10452-003B

-FOIL SIDE-



■ TERMINAL CIRCUIT BOARD

<06> TERMINAL
LPB10216-004B



COMPONENT PARTS LOCATION GUIDE <TERMINAL> LPB10216-004B

REF.NO.	LOCATION	REF.NO.	LOCATION	REF.NO.	LOCATION	REF.NO.	LOCATION	REF.NO.	LOCATION	REF.NO.	LOCATION	REF.NO.	LOCATION
CAPACITOR													
C901	A D 17C	C922	B C 13D	C950	A D 11D	C982	A D 6C	D901	A D 16C	L914	A D 9C	Q913	B C 19C
C902	B C 14C	C923	B C 13D	C951	A D 10D	C983	A D 6B	D902	A D 16B	L916	A D 8C	Q917	B C 4B
C903	B C 13C	C924	B C 13D	C952	A D 10E	C995	A D 3D	D903	A D 16D	L917	A D 10A	Q918	B C 4C
C904	B C 13C	C925	B C 13D	C953	A D 8C	C7701	B C 2C	D904	A D 9A	L918	A D 7C	Q919	B C 6B
C905	B C 14C	C926	B C 14E	C954	A D 8C	C7702	B C 1C	L919	A D 7B	Q921	B C 4E	Q922	B C 5E
C906	B C 13C	C927	B C 13E	C955	A D 7E	C7703	B C 2B	L920	A D 6E	Q923	B C 4E	Q924	B C 15D
C907	B C 13C	C928	B C 12E	C956	A D 10B	C7704	B C 1B	L7701	A D 2C	Q925	B C 14D	Q926	B C 14D
C908	B C 13C	C929	B C 12E	C957	B C 8C	C7705	B C 3B	L7702	A D 2B	Q927	B C 14E	Q928	B C 13E
C909	B C 13C	C930	B C 9C	C959	B C 8D	C7706	B C 3C	L7703	A D 3C	Q929	B C 9E	Q930	A D 12E
C910	B C 14D	C931	A D 11B	C961	A D 8C	C7707	B C 3B	L7704	A D 3B	Q931	B C 8E	Q932	B C 17C
C911	B C 13C	C932	B C 10B	C960	B C 10C	C7708	B C 2B	L7731	A D 4C	Q933	B C 15B	Q934	B C 17C
C912	B C 12C	C933	A D 10C	C962	B C 9D	C7731	B C 4B	L7732	A D 4B	Q935	B C 14B	Q936	B C 18C
C913	B C 12C	C934	A D 15A	C964	B C 17B	C7732	B C 4C	L901	A D 14C	Q937	B C 14B	Q938	B C 18C
C914	A D 20C	C935	A D 11C	C965	B C 18C	C7733	B C 4B	L902	A D 13C	Q939	B C 17C	Q940	B C 19C
C915	A D 19C	C936	A D 11C	C966	A D 18B	C7734	B C 4B	L903	A D 14C	Q941	B C 17C	Q942	B C 17C
C916	A D 18C	C937	A D 9B	C967	B C 6E			L904	A D 13B	Q943	B C 14B	Q944	B C 18C
C917	A D 18C	C938	A D 11D	C968	A D 6E			L905	A D 13C	Q945	B C 14D	Q946	B C 18C
C918	B C 14E	C939	A D 11D	C969	A D 5E			L906	A D 14E	Q947	B C 14B	Q948	B C 18C
C919	B C 13E	C940	A D 11D	C970	B C 4E			L907	A D 13E	Q949	B C 15B	Q950	B C 18C
C920	B C 13E	C941	A D 11D	C980	A D 6C			L908	A D 14E	Q951	B C 16B	Q952	B C 13C
C921	B C 14E	C942	A D 11D	C981	A D 6D			L909	A D 12D	Q953	B C 15B	Q954	A D 19B
								L910	A D 13E	Q955	B C 14B	Q956	B C 3B
								L911	A D 18A	Q957	B C 17C	Q958	B C 3B
										Q959	B C 17C	Q960	B C 4B
										Q961	B C 4B	Q962	B C 4B
										Q963	B C 4B	Q964	B C 5D
										Q965	A D 5E	Q966	B C 5E
										Q967	A D 5E	Q968	A D 5E
										Q969	A D 6E	Q970	A D 14D
										Q971	A D 14C	Q972	A D 14C
										Q973	A D 1C	Q974	A D 4E
										Q975	A D 4B	Q976	A D 5C
										Q977	A D 3C	Q978	B C 21P
										Q979	B C 2B	Q980	B C 2B
										Q981	B C 3C	Q982	B C 3C
										Q983	B C 4B	Q984	B C 3B
										Q985	B C 4E	Q986	B C 4E
										Q987	B C 4E	Q988	B C 4E
										Q989	B C 5B	Q990	B C 5B
										Q991	B C 4B	Q992	B C 4B



JVC

Victor Company of Japan, Limited

AV & MULTIMEDIA COMPANY DIGITAL VIDEO STORAGE CATEGORY 12, 3-chome, Moriya-cho, kanagawa-ku, Yokohama, kanagawa-prefecture, 221-8528, Japan

(No.YD061)



Printed in Japan
VPT

PARTS LIST

[HR-XV38SAA,HR-XV38SAS]

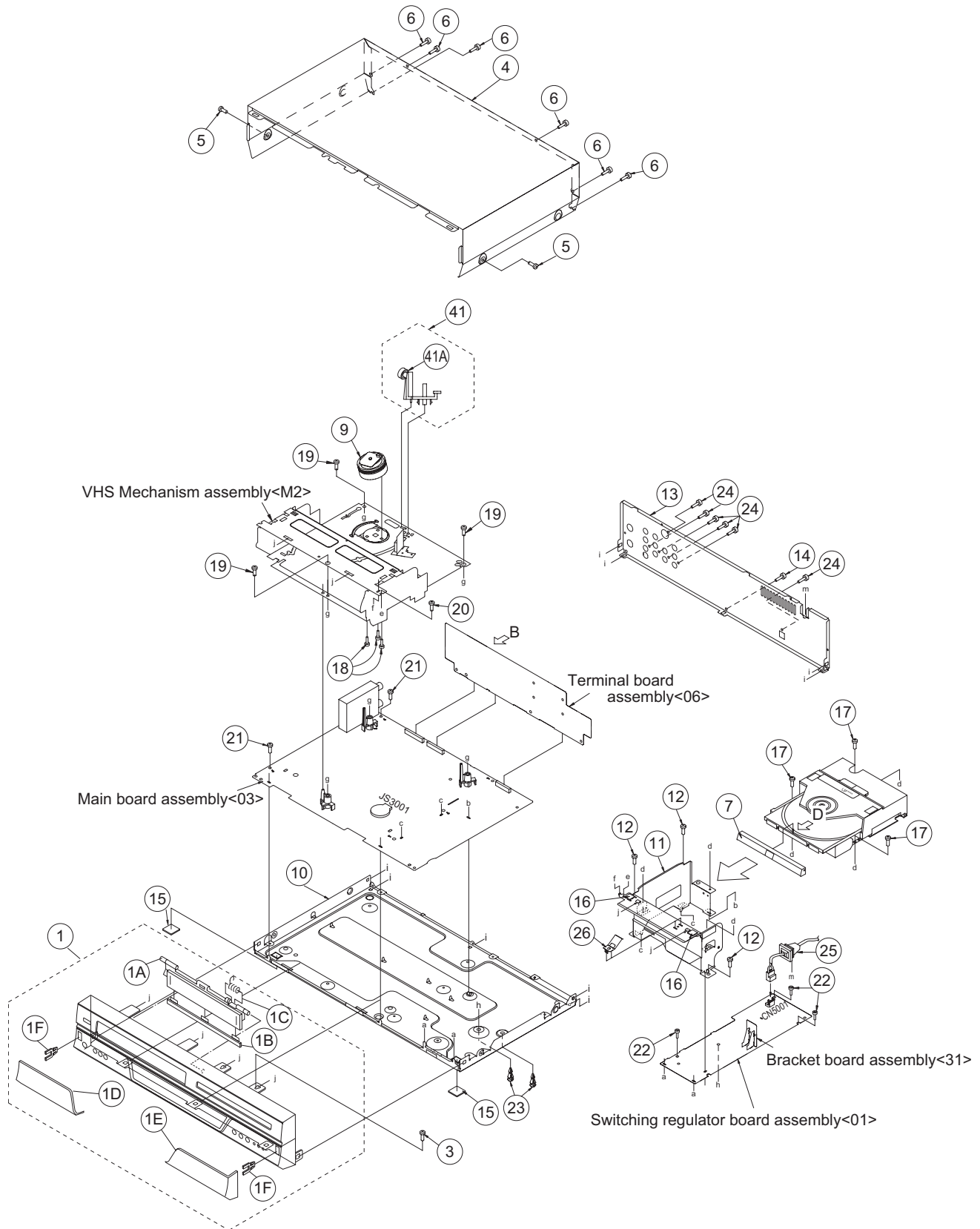
- * SAFETY PRECAUTION
Parts identified by the \triangle symbol are critical for safety. Replace only with specified part numbers.
- * BEWARE OF BOGUS PARTS
Parts that do not meet specifications may cause trouble in regard to safety and performance. We recommend that genuine JVC parts be used.
- * (x_) in a description column shows the number of the used part.

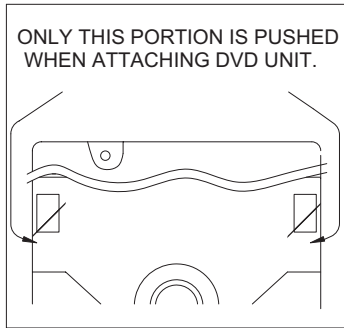
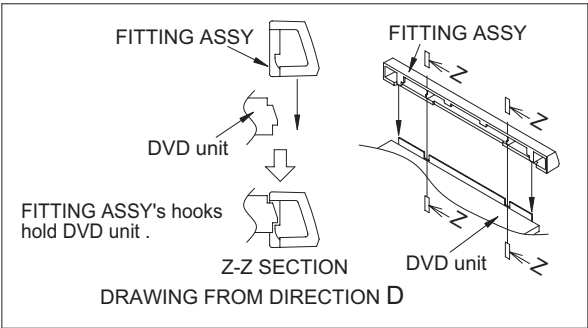
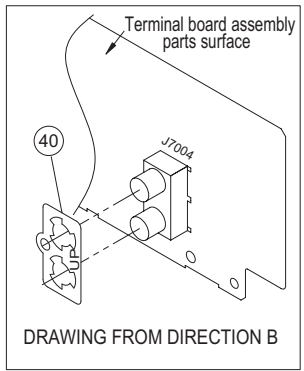
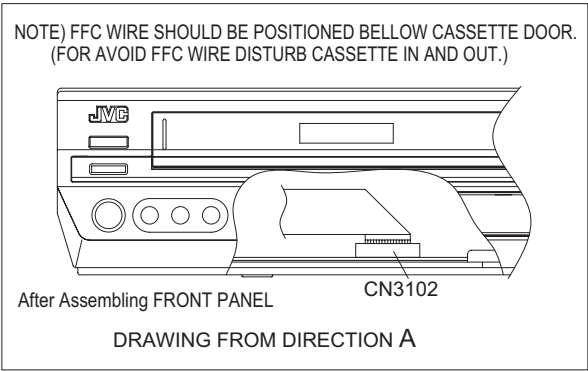
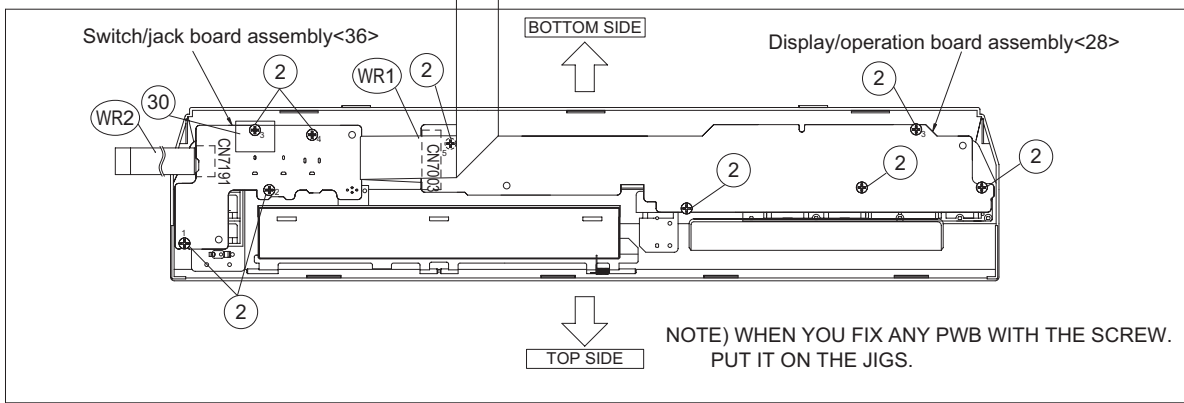
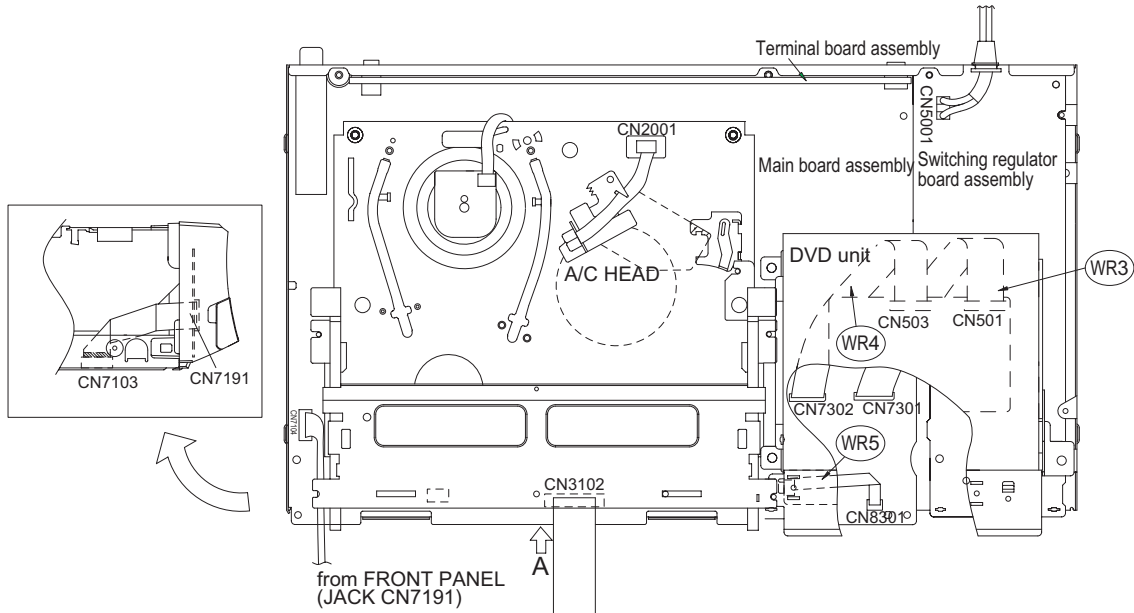
- Contents -

Exploded view of general assembly and parts list 2
VHS mechanism assembly and parts list 5
DVD TRAVERSE mechanism assembly and parts list 8
DVD LOADING mechanism assembly and parts list 10
Electrical parts list 12
Packing materials and accessories parts list 22

Exploded view of general assembly and parts list

Block No. M1MM





MODEL	MARK
HR-XV38SAA	A
HR-XV38SAS	B

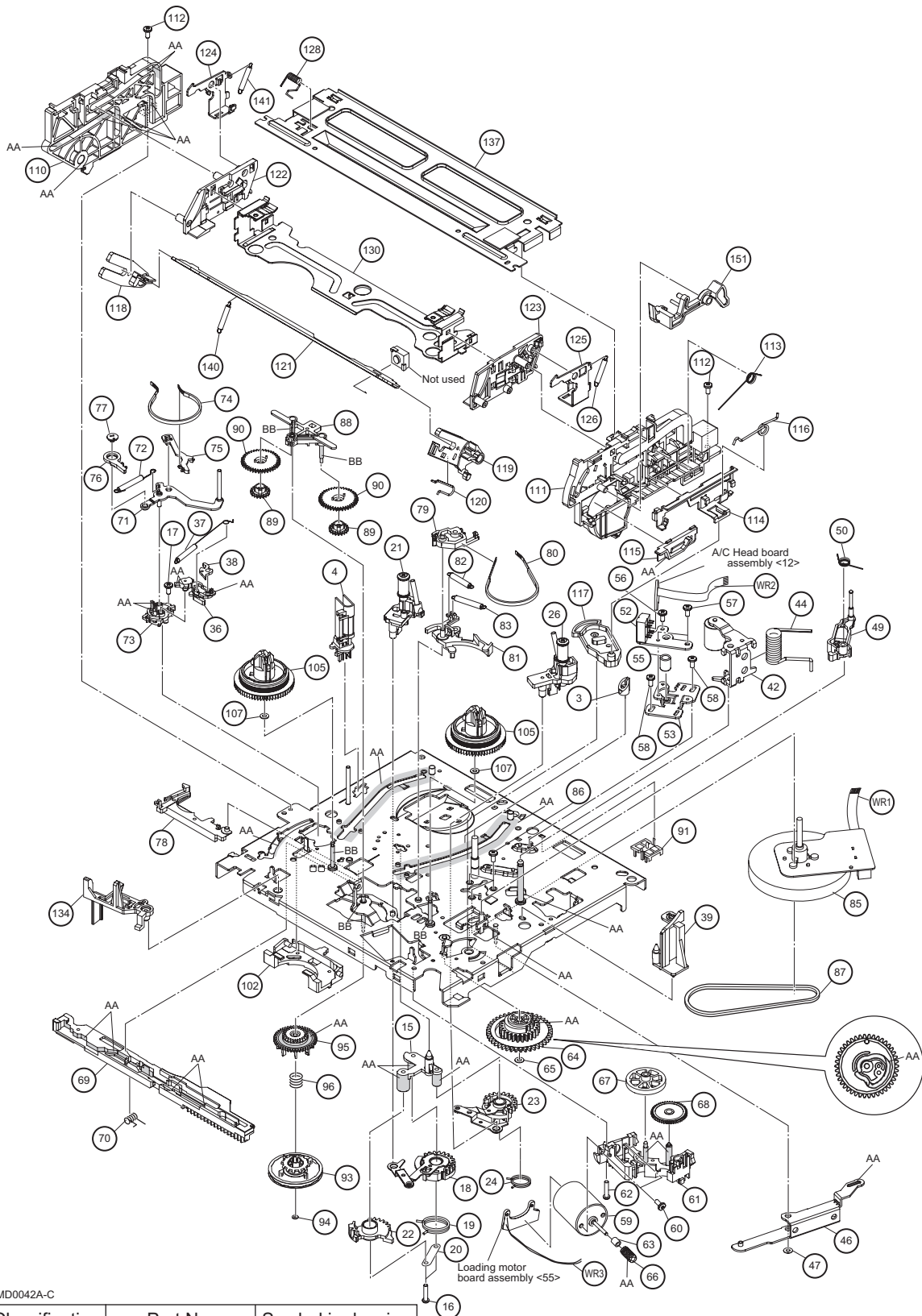
General assembly

Block No. [M][1][M][M]

Symbol No.	Part No.	Part Name	Description	Local
△ 1	LP10490-028A	FRONT PANEL ASSY		A
△ 1	LP10490-029A	FRONT PANEL ASSY		B
1A	LP21181-004A	CASSETTE DOOR		
1B	LP31271-007A	ORNAMENT(CASSETTE DOOR)		
1C	PQ46448	TORSION SPRING		
1D	LP21191-028A	DOOR(L)		A
1D	LP21191-029A	DOOR(L)		B
1E	LP21192-006A	DOOR(R)		
1F	PU60109	CATCHER		
2	QYTDSF2608ZA	TAP SCREW	M2.6 x 8mm DISPLAY/OPERATION SWITCH/JACK(x9)	
3	LP31391-001A	SPECIAL SCREW	FRONT PANEL	
△ 4	LP10488-002C	TOP COVER		
5	QYSBSG3006NA	TAP SCREW	M3 x 6mm TOP SIDE(x2)	
6	QYSBSG3006NA	TAP SCREW	M3 x 6mm TOP REAR(x6)	
7	LP31261-001A	FITTING ASSY		
9	PDV2625A	DRUM FINAL ASSY		A
9	PDV2539B	DRUM FINAL ASSY		B
△ 10	LP10489-001B	BOTTOM CHASSIS		
11	LP21177-001B	BRACKET(DVD)		
12	LP31391-001A	SPECIAL SCREW	BRACKET(DVD)(x3)	
△ 13	LP21178-022A	REAR COVER		
14	QYSBSG3006MA	TAP SCREW	M3 x 6mm REAR COVER	
15	LP31348-001A	FOOT	(x2)	
16	LP30002-0E5A	SPACER	(x2)	
17	QYSBSG3010ZA	TAP SCREW	M3 x 10mm DVD UNIT(x3)	
18	QYSPSPD3008ZA	SCREW	M3 x 8mm DRUM(x3)	
19	LP31391-002A	SPECIAL SCREW	MECHANISM(x3)	
20	LP31391-001A	SPECIAL SCREW	HOUSING	
21	LP31391-001A	SPECIAL SCREW	MAIN(x2)	
22	LP31391-001A	SPECIAL SCREW	SWITCHING REGULATOR(x3)	
23	LP40696-008A	HOLDER(PWB)	(x2)	
24	QYTDSF3008MA	TAP SCREW	M3 x 8mm JACK COVER(x6)	
△ 25	QMPG170-170-K	POWER CORD	1.7m BLACK	A
△ 25	QMPK340-170-JC	POWER CORD	1.7m BLACK	B
26	PQ44695-1-1	EARTH PLATE		
30	LP30002-0F8A	SPACER		
40	LP31345-001A	EARTH PLATE		
41	LP40910-002G	HEAD CLEANER ASSY		
41A	PQ46419-2	CLEANER		
WR1	QUQ112-2212CG-E	FFC WIRE	DISPLAY/OPERATION CN7003-MAIN CN3102	
WR2	QUQ112-1010CG-E	FFC WIRE	SWITCH/JACK CN7191-MAIN CN7104	
WR3	QUQ210-1916CC-E	FFC WIRE	DVD UNIT CN501-MAIN CN7301	
WR4	QUQ210-1716CC-E	FFC WIRE	DVD UNIT CN503-MAIN CN7302	
WR5	QUQ210-0510CC-E	FFC WIRE	DVD UNIT CN1-MAIN CN8301	

VHS mechanism assembly and parts list

Block No. M2MM



PMD0042A-C

Classification	Part No.	Symbol in drawing
Grease	KYODO-SH-JB	AA
Oil	COSMO-HV56	BB

NOTE:The section marked in **AA** and **BB** indicate lubrication and greasing areas.

MODEL	MARK
HR-XV38SAA	A
HR-XV38SAS	B

VHS mechanism

Block No. [M][2][M][M]

Symbol No.	Part No.	Part Name	Description	Local
3	LP40097-002E	GUIDE POLE CAP		
4	QAH0082-001	FULL ERASE HEAD		
15	LP30958-001B	LOADING GEAR BASE		
16	QYTPST2620ZA	TAP SCREW	M2.6 x 20mm(x2)	
17	QYTDST2606ZA	TAP SCREW	M2.6 x 6mm	
18	LP40798-002A	LOADING GEAR(SUPPLY) ASSY		
19	LP40837-001A	TORSION SPRING(SUPPLY)		
20	LP40903-004A	FIXING PLATE		
21	LP40806-001D	POLE BASE ASSY(SUPPLY)		
22	LP30959-001B	LOADING GEAR		
23	LP40802-002A	LOADING GEAR(TAKE UP) ASSY		
24	LP40838-001A	TORSION SPRING(TAKE UP)		
26	LP40808-001E	POLE BASE ASSY(TAKE UP)		
36	LP21055-001G	TAKE UP LEVER		
37	LP40943-001A	TENSION SPRING		
38	LP40859-001D	T-UP HEAD		
39	LP30961-001C	LID GUIDE		
42	LP40810-003A	PINCH ROLLER ARM ASSY		
44	LP40840-001E	TORSION SPRING		
46	LP30963-002A	PRESS LEVER		
47	PQM30017-24	SLIT WASHER		
49	LP40813-001D	GUIDE ARM ASSY		
50	LP40841-001A	TORSION SPRING		
52	NAH0005-001	AC HEAD		
53	LP30965-003A	HEAD BASE		
55	LP40842-001D	COMPRESSION SPRING		
56	QYTDST2006MA	TAP SCREW	M2 x 6mm	
57	LP41036-002A	A/C ADJ.SCREW	(x2)	
58	QYTDST2606ZA	TAP SCREW	M2.6 x 6mm(x2)	
59	QAR0289-001	LOADING MOTOR		
60	QYTPSP3003ZA	SCREW	M3 x 3mm(x2)	
61	LP21056-002J	MOTOR BRACKET		
62	QYTPST2620ZA	TAP SCREW	M2.6 x 20mm	
63	LP40814-001B	WORM BEARING		
64	LP21044-001E	CONTROL CAM		
65	PQM30017-24	SLIT WASHER		
66	LP40815-001A	WORM GEAR		
67	LP40816-001B	HELICAL GEAR		
68	LP40817-001A	CONNECT GEAR		
69	LP10400-001N	CONTROL PLATE		
70	LP40843-001A	TORSION SPRING		
71	LP40818-002A	TENSION ARM ASSY		
72	LP40844-001F	TENSION SPRING		
73	LP21045-001E	TENSION ARM BASE		
74	LP40821-001A	TENSION BAND ASSY		
75	LP30967-001B	BAND HOLDER-1		
76	LP30968-001C	BAND HOLDER-2		
77	LP40822-002B	ADJUST PIN		
78	LP31000-005E	TENSION ARM LEVER		
79	LP21046-001C	MAIN BRAKE(TAKE UP)		
80	LP40824-001A	BAND BRAKE ASSY		
81	LP30969-002B	BRAKE LEVER		
82	LP30003-033C	TENSION SPRING		
83	LP30003-035C	TENSION SPRING		
85	QAR0267-003	CAPSTAN MOTOR		
86	QYTPSG2606ZA	TAP SCREW	M2.6 x 6mm(x3)	
87	LP30005-010A	BELT	CAPSTAN MOTOR	
88	LP30970-001B	IDLER ARM		
89	LP40828-004A	IDLER GEAR 1	(x2)	
90	LP40829-002A	IDLER GEAR 2	(x2)	
91	LP31014-002A	WIRE HOLDER		
93	LP40934-001B	CLUTCH UNIT		
94	PQM30017-47	SLIT WASHER		
95	LP30973-001A	DIRECT GEAR		
96	LP40939-001A	COMPRESSION SPRING		
102	LP30974-001C	CHANGE LEVER		
105	LP21049-001A	REEL DISK	(x2)	
107	LP30017-004A	SPACER	REEL DISK(x2)	
110	LP10401-001L	SIDE FRAME(L)		
111	LP10402-001M	SIDE FRAME(R)		
112	QYTDST2606ZA	TAP SCREW	M2.6 x 6mm(x2)	
113	LP40917-001D	TORSION SPRING		
114	LP30976-002B	SIDE PLATE		
115	LP30977-002E	LIMIT PLATE		
116	LP40846-001C	LIMIT SPRING		
117	LP31100-002A	DRIVE LEVER		
118	LP30978-001B	DRIVE ARM(L)		
119	LP30979-001S	DRIVE ARM(R)		
120	LP40847-001B	TORSION SPRING		

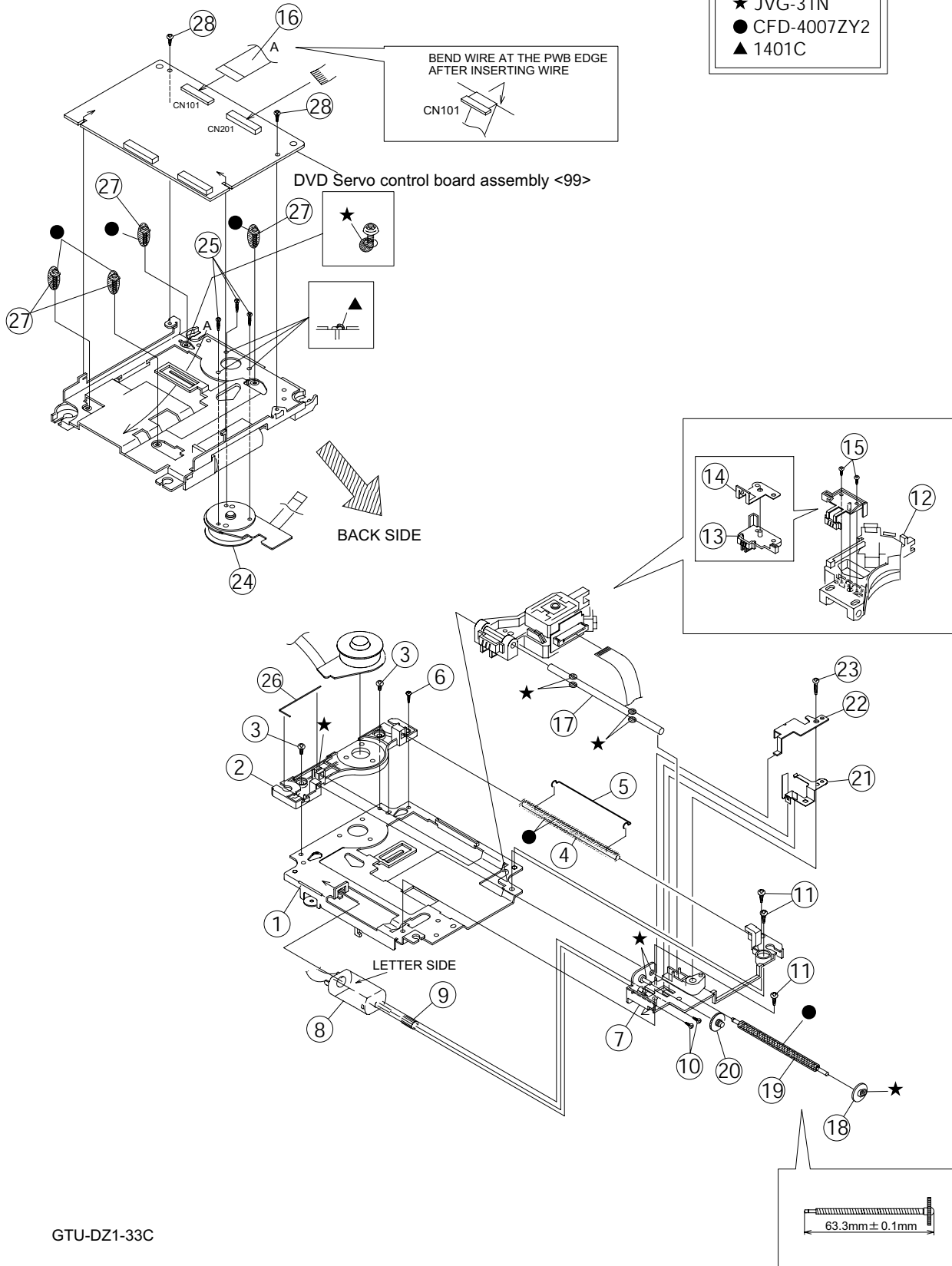
MODEL	MARK
HR-XV38SAA	A
HR-XV38SAS	B

△ Symbol No.	Part No.	Part Name	Description	Local
121	LP30980-002A	CONNECT PLATE		
122	LP10403-001C	SIDE HOLDER(L)		
123	LP10404-001F	SIDE HOLDER(R)		
124	LP30983-002A	LOCK LEVER(L)		
125	LP30984-002A	LOCK LEVER(R)		
126	LP40924-001D	TENSION SPRING		
128	LP40857-001B	EARTH SPRING(2)		
130	LP30981-003B	CASSETTE HOLDER ASSY		
134	LP21051-002C	REC SAFETY LEVER		
137	LP21052-002A	TOP FRAME		
140	LP41153-001A	EARTH SPRING(3)		
141	LP40924-001D	TENSION SPRING		
151	LP30985-002M	DOOR OPENER		
WR1	WJT0117-001A-E	E-CARD WIRE		DRUM
WR2	WJT0067-001B-E	E-CARD WIRE		A/C HEAD CN2001
WR3	WJW0023-001A-E	E-TWISTED ASSY		LOADING MOTOR

DVD Traverse mechanism assembly and parts list

Block No. M3MM

- Grease
- ★ JVG-31N
 - CFD-4007ZY2
 - ▲ 1401C



GTU-DZ1-33C

MODEL	MARK
HR-XV38SAA	A
HR-XV38SAS	B

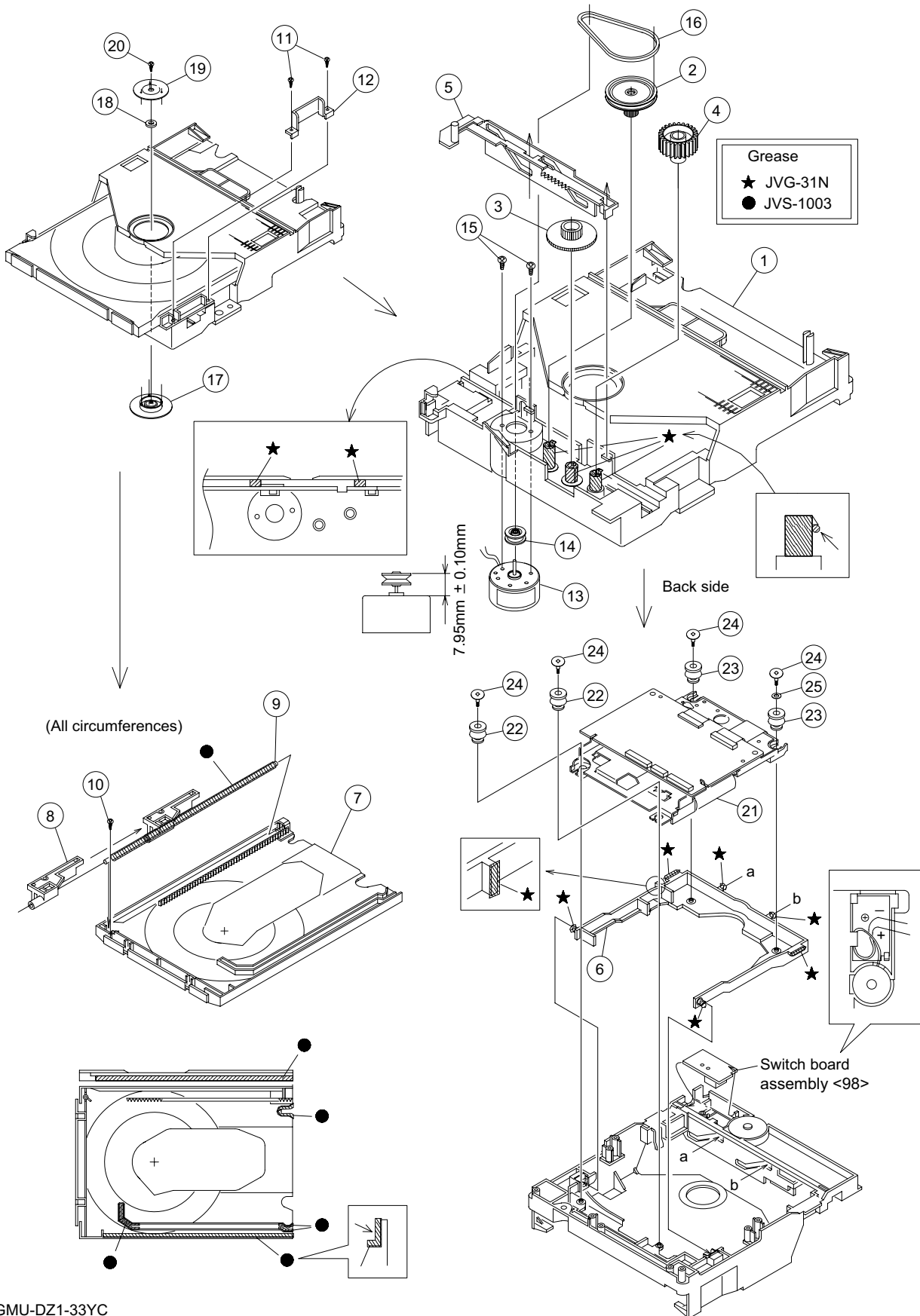
DVD Traverse mechanism

Block No. [M][3][M][M]

△ Symbol No.	Part No.	Part Name	Description	Local
1	LV21814-001A	MECHA BASE		
2	LE20731-002A	SPINDLE BASE		
3	QYSDST2605MA	TAP SCREW		M2.6 x 5mm(x2)
4	LE40931-001A	SHAFT		
5	LE40995-001A	BAR SPRING		
6	QYSPSTU2080MA	TAP SCREW		M2 x 8mm
7	LE20730-002A	FEED HOLDER		
8	QAR0165-001	FEED MOTOR		
9	LV41510-001A	FEED GEAR T		
10	QYSPSPU2040MA	SCREW		M2 x 4mm(x2)
11	QYSDST2605MA	TAP SCREW		M2.6 x 5mm(x3)
12	QAL0577-001	P.UP		
13	LE20732-001A	SW ACTUATOR		
14	LE31093-001A	LEAD SPRING		
15	QYSPSFU1740ZA	TAP SCREW		M1.7 x 4mm(x2)
16	QUQ105-2412AC-E	FFC WIRE		24pin 12cm
17	LE40931-001A	SHAFT		
18	LE40855-002A	FEED GEAR E		
19	LV41517-003A	LEAD SCREW		
20	LE40930-001A	FEED GEAR M		
21	LE40928-002A	THURUST SPRING		
22	LE40927-002A	PLATE		
23	QYSDST2614ZA	TAP SCREW		M2.6 x 14mm
24	QAR0334-002	S.MOTOR		
25	QYSPSPU1760ZA	SCREW		M1.7 x 6mm(x3)
26	LE40994-001A	T.SPRING		
27	LE40858-002A	SPECIAL SCREW		(x4)
28	QYSDST2004ZA	TAP SCREW		M2 x 4mm(x2)

DVD Loading mechanism assembly and parts list

Block No. M4MM



GMU-DZ1-33YC

MODEL	MARK
HR-XV38SAA	A
HR-XV38SAS	B

DVD Loading mechanism

Block No. [M][4][M][M]

△ Symbol No.	Part No.	Part Name	Description	Local
1	LE10275-006A	LOADING BASE		
2	LE31043-001A	PULLEY GEAR		
3	LE31042-001A	MIDDLE GEAR		
4	LE31044-001A	IDLE GEAR		
5	LE20665-005A	SLIDE CAM		
6	LE20666-003A	ELEVATOR		
7	LE10276-002A	TRAY		
8	LE31045-001A	BUSHING		
9	LE40898-001A	SHAFT		
10	QYSSSF2008ZA	TAP SCREW		M2 x 8mm
11	QYSDSF2008ZA	TAP SCREW		M2 x 8mm(x2)
12	LE40937-003A	LEAF SPRING		
13	QAR0197-001	MOTOR		
14	LV42087-002A	MOTOR PULLEY		
15	QYSPSPU1730ZA	SCREW		FOR MOTOR(x2)
16	LE40897-001A	BELT		
17	LE31046-003A	CLAMPER		
18	LV42930-003A	P.C.MAGNET		
19	LE40899-001A	YOKE		
20	LE40906-002A	SPECIAL SCREW		
21	-----	DVD TRAMECHA UNIT		
22	LE40900-003A	INSULATOR		REAR(x2)
23	LE40900-005A	INSULATOR		FRONT(x2)
24	LE40901-002A	SPECIAL SCREW		(x4)
25	QYWFM419025	WASHER		9mm/4.1mm x 0.25mm

MODEL	MARK
HR-XV38SAA	A
HR-XV38SAS	B

Electrical parts list

Switching regulator board

Block No. [0][1]

△ Symbol No.	Part No.	Part Name	Description	Local
PW1	LPA10261-02A1	SWITCHING REGULATOR BOARD ASSY		
IC5201	UTCTL431-T	IC		
IC5201	or MM1431AT-T	IC		
IC5201	or TL431/A-T	IC		
Q5101	2SK2632-CB14	POWER MOS FET		
Q5102	2SD2144S/UV/-T	TRANSISTOR		
Q5103	2SA1530A/QR/-X	TRANSISTOR		
Q5103	or 2SB709A/QR/-X	TRANSISTOR		
Q5103	or 2SA1037AK/QR/-X	TRANSISTOR		
D5001	S1WB/A/60-7102	BRIDGE DIODE		
D5001	or S1WB/A/60-X	BRIDGE DIODE		
D5101	10ERB40-T2	FR DIODE		
D5101	or AU01-T2	SI DIODE		
D5102	10ERB40-T2	FR DIODE		
D5102	or AU01-T2	SI DIODE		
D5103	1SS133-T2	SI DIODE		
D5103	or 1SS270A-T2	SI DIODE		
D5105	1SS133-T2	SI DIODE		
D5105	or 1SS270A-T2	SI DIODE		
D5106	MTZJ33D-T2	Z DIODE		
D5202	RK14-LFB2	SB DIODE		
D5205	AU01Z-T2	FR DIODE		
D5205	or 10ERB20-T2	FR DIODE		
D5208	RK14-LFB2	SB DIODE		
D5209	AU01Z-T2	FR DIODE		
D5209	or 10ERB20-T2	FR DIODE		
D5209	or AU01Z-T2	FR DIODE		
D5212	RK14-LFB2	SB DIODE		
D5213	AU01Z-T2	FR DIODE		
D5213	or 10ERB20-T2	FR DIODE		
D5301	MTZJ15C-T2	Z DIODE		
△ PC5101	PC123Y22FZ	PHOTO COUPLER		
△ C5001	QFZ9073-683	MM CAPACITOR	0.068uF AC250V M	
△ C5002	QFZ9073-223	MM CAPACITOR	0.022uF AC250V M	
△ C5003	QCZ9071-101	C CAPACITOR	100pF AC400V K	
△ C5004	QCZ9071-222	C CAPACITOR	2200pF AC400V M	
C5006	QEZ0375-826	E CAPACITOR	82uF 400V M	
C5101	QCZ0353-101Z	C CAPACITOR	100pF 1KV K	
C5102	QCZ0333-472	C CAPACITOR	4700pF 1KV K	
C5104	QEH11HM-105Z	E CAPACITOR	1uF 50V M	
C5106	NCB31HK-221X	C CAPACITOR	220pF 50V K	
C5108	NCB31HK-104X	C CAPACITOR	0.1uF 50V K	
C5109	NCB31HK-183X	C CAPACITOR	0.018uF 50V K	
C5202	QEZ0654-567Z	E CAPACITOR	560uF 10V M	
C5204	QEZ0654-567Z	E CAPACITOR	560uF 10V M	
C5205	QEZ0655-397Z	E CAPACITOR	390uF 16V M	
C5207	QETN2AM-475Z	E CAPACITOR	4.7uF 100V M	
C5209	QETN1AM-107Z	E CAPACITOR	100uF 10V M	
C5210	QETN1CM-107Z	E CAPACITOR	100uF 16V M	
C5211	QETN1AM-107Z	E CAPACITOR	100uF 10V M	
C5212	QEZ0654-567Z	E CAPACITOR	560uF 10V M	
C5213	QEZ0654-567Z	E CAPACITOR	560uF 10V M	
C5214	NCB31AK-154X	C CAPACITOR	0.15uF 10V K	
R5101	QRE141J-224Y	C RESISTOR	220kΩ 1/4W J	
R5102	QRE141J-224Y	C RESISTOR	220kΩ 1/4W J	
R5103	QRE141J-683Y	C RESISTOR	68kΩ 1/4W J	
R5104	QRG02GJ-683	OMF RESISTOR	68kΩ 2W J	
R5106	QRT01DJ-R27X	MF RESISTOR	0.27Ω 1W J	
R5107	QRE121J-331Y	C RESISTOR	330Ω 1/2W J	
R5108	NRSA63J-202X	MG RESISTOR	2kΩ 1/16W J	
R5109	NRSA63J-681X	MG RESISTOR	680Ω 1/16W J	
R5110	NRSA63J-224X	MG RESISTOR	220kΩ 1/16W J	
R5111	NRSA63J-331X	MG RESISTOR	330Ω 1/16W J	
R5112	NRSA63J-221X	MG RESISTOR	220Ω 1/16W J	
R5113	NRSA63J-104X	MG RESISTOR	100kΩ 1/16W J	
R5201	QRE141J-221Y	C RESISTOR	220Ω 1/4W J	

△ Symbol No.	Part No.	Part Name	Description	Local
R5202	NRSA63J-102X	MG RESISTOR	1kΩ 1/16W J	
R5203	NRSA63J-102X	MG RESISTOR	1kΩ 1/16W J	
R5204	NRSA63J-332X	MG RESISTOR	3.3kΩ 1/16W J	
R5205	NRSA63J-123X	MG RESISTOR	12kΩ 1/16W J	
R5206	NRSA63J-332X	MG RESISTOR	3.3kΩ 1/16W J	
R5317	NRSA63J-473X	MG RESISTOR	47kΩ 1/16W J	
L5201	QQR1287-001	CHOKO COIL		
L5202	QQR1287-001	CHOKO COIL		
L5203	QQR1287-001	CHOKO COIL		
△ T5001	QQS0219-001	SW TRANSF		
△ CN5001	QGA7901C3-02	CONNECTOR	W-B (1-2)	
CN5301	QGB1231L1-11	CONNECTOR	B-B (1-11)	
△ F5001	QMF51W2-2R0-J8	FUSE	2A AC250V	
FC5001	QNG0006-001Z	FUSE CLIP		
FC5002	QNG0006-001Z	FUSE CLIP		
HS1	LP40621-001A	HEAT SINK	Q5101	
K5101	QQR0621-001Z	COIL		
△ LF5002	QQR1515-001	LINE FILTER		
OT1	QYTDST3008ZA	TAP SCREW	M3 x 8mm Q5101	

Main board

Block No. [0][3]

△ Symbol No.	Part No.	Part Name	Description	Local
PW1	LPA10260-06A	MAIN BOARD ASSY		A
PW1	LPA10260-07A	MAIN BOARD ASSY		B
IC1	JCP8060-MSA	IC		
IC201	LC74789N-9719-E	IC		
△ IC2201	AN3651FBP	IC		
IC3001	HD6432194SXE04F	IC(MCU)	MASK	
IC3002	S-80827CANNB-G-W	IC		
IC3003	LPN0955-001B-01	IC(EEPROM)	*(REFER TO BELOW)	A
IC3003	LPN0955-003B-03	IC(EEPROM)	*(REFER TO BELOW)	B
IC5301	UTCTL431-T	IC		
IC5302	MM1565AF-X	IC		
IC6701	MSP3417GQGB8V3X	IC		
IC8001	HA17558AF-X	IC		
IC8001	or RC4558D-X	IC		
IC8201	MN101C30AJG	IC(MCU)		
IC8201	or MN101CP30AJG	IC(MCU)		
IC8202	SN74HCT08APW-X	IC		
IC8301	LB1641-E	IC		
Q7	2SC2412K/QRS/-X	TRANSISTOR		
Q7	or 2SD601A/QRS/-X	TRANSISTOR		
Q7	or 2SC3928A/QRS/-X	TRANSISTOR		
Q8	2SC2412K/QRS/-X	TRANSISTOR		
Q8	or 2SD601A/QRS/-X	TRANSISTOR		
Q8	or 2SC3928A/QRS/-X	TRANSISTOR		
Q9	2SC2412K/QRS/-X	TRANSISTOR		
Q9	or 2SD601A/QRS/-X	TRANSISTOR		
Q9	or 2SC3928A/QRS/-X	TRANSISTOR		
Q10	2SC2412K/QRS/-X	TRANSISTOR		
Q10	or 2SD601A/QRS/-X	TRANSISTOR		
Q10	or 2SC3928A/QRS/-X	TRANSISTOR		
Q2001	2SC2412K/QRS/-X	TRANSISTOR		
Q2001	or 2SD601A/QRS/-X	TRANSISTOR		
Q2001	or 2SC3928A/QRS/-X	TRANSISTOR		
Q2002	2SC2412K/QRS/-X	TRANSISTOR		
Q2002	or 2SD601A/QRS/-X	TRANSISTOR		
Q2002	or 2SC3928A/QRS/-X	TRANSISTOR		
Q2003	DTA144WKA-X	TRANSISTOR		
Q2003	or UN211E-X	DIGI TRANSISTOR		
Q2003	or RT1P44HC-X	DIGI TRANSISTOR		
Q2051	2SC2412K/QRS/-X	TRANSISTOR		
Q2051	or 2SD601A/QRS/-X	TRANSISTOR		
Q2051	or 2SC3928A/QRS/-X	TRANSISTOR		
Q2052	2SA1037AK/QR/-X	TRANSISTOR		

*The VCR goes to jig RCU mode after replacing the EEPROM and the VCR does not accept some RCU command.

3-12(No.YD061)

Therefore please set the VCR to the user RCU mode after replacing the EEPROM.

The method of setting the VCR to the user RCU mode is written on the service manual.

MODEL	MARK
HR-XV38SAA	A
HR-XV38SAS	B

△ Symbol No.	Part No.	Part Name	Description	Local	△ Symbol No.	Part No.	Part Name	Description	Local
Q2052	or 2SB709A/QR/-X	TRANSISTOR			D3005	10EDB20-T2	SI DIODE		
Q2052	or 2SA1530A/QR/-X	TRANSISTOR			D3005	or 10EDB20-T2	SI DIODE		
Q2053	DTC144WKA-X	DIGI TRANSISTOR			D3007	1SS355-X	SI DIODE		
Q2053	or UN221E-X	TRANSISTOR			D5305	MTZJ11C-T2	Z DIODE		
Q2054	2SA1037AK/QR/-X	TRANSISTOR			D5305	or MTZJ11C-T2	Z DIODE		
Q2054	or 2SB709A/QR/-X	TRANSISTOR			D5306	MTZJ5.6C-T2	Z DIODE		
Q2054	or 2SA1530A/QR/-X	TRANSISTOR			D5306	or MTZJ5.6C-T2	Z DIODE		
Q2055	DTC144WKA-X	DIGI TRANSISTOR			D5310	MTZJ10B-T2	Z DIODE		
Q2055	or UN221E-X	TRANSISTOR			D5310	or MTZJ10B-T2	Z DIODE		
Q2201	DTA144WKA-X	TRANSISTOR			D6002	HZ30-2L-T2	Z DIODE		
Q2201	or UN211E-X	DIGI TRANSISTOR			D6701	1SS133-T2	SI DIODE		
Q2201	or RT1P44HC-X	DIGI TRANSISTOR			D6701	or 1SS270A-T2	SI DIODE		
Q2202	DTC144WKA-X	DIGI TRANSISTOR			D7301	10EDB20-T2	SI DIODE		
Q2202	or UN221E-X	TRANSISTOR			D7301	or 10EDB20-T2	SI DIODE		
Q2203	2SC2412K/QRS/-X	TRANSISTOR			D8001	1SS133-T2	SI DIODE		
Q2203	or 2SD601A/QRS/-X	TRANSISTOR			D8001	or 1SS270A-T2	SI DIODE		
Q2203	or 2SC3928A/QRS/-X	TRANSISTOR			D8301	MTZJ5.1B-T2	Z DIODE		
Q2204	2SC2412K/QRS/-X	TRANSISTOR			D8301	or MTZJ5.1B-T2	Z DIODE		
Q2204	or 2SD601A/QRS/-X	TRANSISTOR							
Q2204	or 2SC3928A/QRS/-X	TRANSISTOR			PC3001	RPI-304J	IC(PHOTO SENSOR)		
Q2255	DTC114EKA-X	DIGI TRANSISTOR			PC3002	RPI-304J	IC(PHOTO SENSOR)		
Q2255	or UN2211-X	TRANSISTOR							
Q2255	or RT1N141C-X	DIGI TRANSISTOR			C1	NDC31HJ-151X	C CAPACITOR	150pF 50V J	
Q3002	PTZ-NV16A	IC(PHOTO SENSOR)			C2	NDC31HJ-470X	C CAPACITOR	47pF 50V J	
Q3003	PTZ-NV16A	IC(PHOTO SENSOR)			C4	QEKJ1EM-106Z	E CAPACITOR	10uF 25V M	
Q3004	2SC2412K/QRS/-X	TRANSISTOR			C5	NCB31CK-104X	C CAPACITOR	0.1uF 16V K	
Q3004	or 2SD601A/QRS/-X	TRANSISTOR			C6	NCB31CK-104X	C CAPACITOR	0.1uF 16V K	
Q3004	or 2SC3928A/QRS/-X	TRANSISTOR			C7	NCB31CK-104X	C CAPACITOR	0.1uF 16V K	
Q3005	2SC2412K/QRS/-X	TRANSISTOR			C8	NCF31AZ-105X	C CAPACITOR	1uF 10V Z	
Q3005	or 2SD601A/QRS/-X	TRANSISTOR			C9	QEKJ1HM-225Z	E CAPACITOR	2.2uF 50V M	
Q3005	or 2SC3928A/QRS/-X	TRANSISTOR			C10	QEKJ0JM-476Z	E CAPACITOR	47uF 6.3V M	
Q3008	DTC144WKA-X	DIGI TRANSISTOR			C11	NCF31AZ-105X	C CAPACITOR	1uF 10V Z	
Q3008	or UN221E-X	TRANSISTOR			C12	NCF31AZ-105X	C CAPACITOR	1uF 10V Z	
Q4001	DTC114EKA-X	DIGI TRANSISTOR			C14	NCF31AZ-105X	C CAPACITOR	1uF 10V Z	
Q4001	or UN2211-X	TRANSISTOR			C15	NCB31CK-104X	C CAPACITOR	0.1uF 16V K	
Q4001	or RT1N141C-X	DIGI TRANSISTOR			C17	NCB31CK-104X	C CAPACITOR	0.1uF 16V K	
Q5306	2SD1302/ST/-T	TRANSISTOR			C19	NCB31CK-104X	C CAPACITOR	0.1uF 16V K	
Q5307	UN211E-X	DIGI TRANSISTOR			C20	NCB31CK-104X	C CAPACITOR	0.1uF 16V K	
Q5307	or DTA144WKA-X	TRANSISTOR			C22	NCB31CK-104X	C CAPACITOR	0.1uF 16V K	
Q5307	or RT1P44HC-X	DIGI TRANSISTOR			C24	NCB31CK-104X	C CAPACITOR	0.1uF 16V K	
Q5309	UN2211-X	TRANSISTOR			C25	QEKJ1HM-335Z	E CAPACITOR	3.3uF 50V M	
Q5309	or DTC114EKA-X	DIGI TRANSISTOR			C26	QEKJ1EM-106Z	E CAPACITOR	10uF 25V M	
Q5309	or RT1N141C-X	DIGI TRANSISTOR			C27	NCB31EK-103X	C CAPACITOR	0.01uF 25V K	
Q5310	2SD1858/QR/-T	TRANSISTOR			C30	NDC31HJ-331X	C CAPACITOR	330pF 50V J	
Q5311	2SC5739/QP/-	TRANSISTOR			C31	QEKJ0JM-476Z	E CAPACITOR	47uF 6.3V M	
Q5312	2SC3576-JVC-T	TRANSISTOR			C32	QCB11HK-103Y	C CAPACITOR	0.01uF 50V K	
Q5312	or 2SD2144S/UVI-T	TRANSISTOR			C33	QEKJ1EM-106Z	E CAPACITOR	10uF 25V M	
Q5315	2SD1858/QR/-T	TRANSISTOR			C34	NCB31EK-103X	C CAPACITOR	0.01uF 25V K	
Q6030	2SB709A/QR/-X	TRANSISTOR			C35	NCB31EK-103X	C CAPACITOR	0.01uF 25V K	
Q6030	or 2SA1037AK/QR/-X	TRANSISTOR			C36	QEKJ1HM-105Z	E CAPACITOR	1uF 50V M	
Q6030	or 2SA1530A/QR/-X	TRANSISTOR			C37	NDC31HJ-4R0X	C CAPACITOR	4pF 50V J	
Q8001	2SC2412K/QRS/-X	TRANSISTOR			C38	NCB31EK-103X	C CAPACITOR	0.01uF 25V K	
Q8001	or 2SD601A/QRS/-X	TRANSISTOR			C39	QEKJ0JM-476Z	E CAPACITOR	47uF 6.3V M	
Q8001	or 2SC3928A/QRS/-X	TRANSISTOR			C40	NCB31EK-103X	C CAPACITOR	0.01uF 25V K	
Q8002	2SC2412K/QRS/-X	TRANSISTOR			C41	NCB31CK-104X	C CAPACITOR	0.1uF 16V K	
Q8002	or 2SD601A/QRS/-X	TRANSISTOR			C43	QEKJ1HM-335Z	E CAPACITOR	3.3uF 50V M	
Q8002	or 2SC3928A/QRS/-X	TRANSISTOR			C44	QEKJ1HM-225Z	E CAPACITOR	2.2uF 50V M	
Q8052	2SC2412K/QRS/-X	TRANSISTOR			C45	NCB31EK-472X	C CAPACITOR	4700pF 25V K	
Q8052	or 2SD601A/QRS/-X	TRANSISTOR			C46	NCB31CK-104X	C CAPACITOR	0.1uF 16V K	
Q8052	or 2SC3928A/QRS/-X	TRANSISTOR			C47	QEKJ1HM-474Z	E CAPACITOR	0.47uF 50V M	
Q8053	DTA114EKA-X	DIGI TRANSISTOR			C48	NCB31EK-223X	C CAPACITOR	0.022uF 25V K	
Q8053	or UN2111-X	TRANSISTOR			C49	QEKJ1HM-475Z	E CAPACITOR	4.7uF 50V M	
Q8053	or RT1P141C-X	DIGI TRANSISTOR			C55	NDC31HJ-151X	C CAPACITOR	150pF 50V J	
					C56	NCB31CK-104X	C CAPACITOR	0.1uF 16V K	
D201	1SS133-T2	SI DIODE			C57	NCB31EK-103X	C CAPACITOR	0.01uF 25V K	
D202	1SS133-T2	SI DIODE			C58	NCB31EK-103X	C CAPACITOR	0.01uF 25V K	
D203	1SS133-T2	SI DIODE			C59	NCB31EK-103X	C CAPACITOR	0.01uF 25V K	
D2001	1SS133-T2	SI DIODE			C60	NCB31HK-103X	C CAPACITOR	0.01uF 50V K	
D2001	or 1SS270A-T2	SI DIODE			C61	QEKJ0JM-476Z	E CAPACITOR	47uF 6.3V M	
D2251	1SS133-T2	SI DIODE			C62	QCB11HK-103Y	C CAPACITOR	0.01uF 50V K	
D2251	or 1SS270A-T2	SI DIODE			C63	NCB31EK-103X	C CAPACITOR	0.01uF 25V K	
D3001	LNB2301L01VI	LED			C64	NCB31EK-103X	C CAPACITOR	0.01uF 25V K	
D3002	1SS133-T2	SI DIODE			C71	QEKJ1HM-105Z	E CAPACITOR	1uF 50V M	
D3002	or 1SS270A-T2	SI DIODE			C201	QEKJ0JM-227Z	E CAPACITOR	220uF 6.3V M	
D3003	MTZJ33C-T2	Z DIODE			C204	NCB31EK-103X	C CAPACITOR	0.01uF 25V K	
D3003	or MTZJ33C-T2	Z DIODE			C206	NDC31HJ-330X	C CAPACITOR	33pF 50V J	
D3004	10EDB20-T2	SI DIODE			C207	NDC31HJ-330X	C CAPACITOR	33pF 50V J	
D3004	or 10EDB20-T2	SI DIODE			C209	NCB31AK-224X	C CAPACITOR	0.22uF 10V K	

MODEL	MARK
HR-XV38SAA	A
HR-XV38SAS	B

△ Symbol No.	Part No.	Part Name	Description	Local	△ Symbol No.	Part No.	Part Name	Description	Local
C214	NCB31AK-224X	C CAPACITOR	0.22uF 10V K		C3071	QEKJ1CM-336Z	E CAPACITOR	33uF 16V M	
C217	NDC31HJ-560X	C CAPACITOR	56pF 50V J		C4002	NCF31EZ-104X	C CAPACITOR	0.1uF 25V Z	
C218	QEKJ1HM-105Z	E CAPACITOR	1uF 50V M		C4004	QEKJ1CM-226Z	E CAPACITOR	22uF 16V M	
C222	QEKJ1HM-105Z	E CAPACITOR	1uF 50V M		C4005	NCB21HK-222X	C CAPACITOR	2200pF 50V K	
C2001	QEKJ1HM-475Z	E CAPACITOR	4.7uF 50V M		C4006	QEKJ0JM-476Z	E CAPACITOR	47uF 6.3V M	
C2002	QEKJ1HM-105Z	E CAPACITOR	1uF 50V M		C4008	QEQF1HM-105Z	E CAPACITOR	1uF 50V M	
C2003	QEKJ0JM-476Z	E CAPACITOR	47uF 6.3V M		C4009	NRSA63J-0R0X	MG RESISTOR	0Ω 1/16W J	
C2005	QEKJ1HM-475Z	E CAPACITOR	4.7uF 50V M		C4010	NCB31EK-223X	C CAPACITOR	0.022uF 25V K	
C2006	NCB31EK-682X	C CAPACITOR	6800pF 25V K		C4011	NCB31CK-104X	C CAPACITOR	0.1uF 16V K	
C2007	QEKJ1CM-226Z	E CAPACITOR	22uF 16V M		C4012	QEKJ1HM-105Z	E CAPACITOR	1uF 50V M	
C2008	QEKJ1HM-475Z	E CAPACITOR	4.7uF 50V M		C4014	NDC31HJ-101X	C CAPACITOR	100pF 50V J	
C2009	NCB31HK-102X	C CAPACITOR	1000pF 50V K		C4015	NCB31HK-102X	C CAPACITOR	1000pF 50V K	
C2010	NCB31HK-681X	C CAPACITOR	680pF 50V K		C5301	QETN1AM-107Z	E CAPACITOR	100uF 10V M	
C2011	QEKJ1HM-475Z	E CAPACITOR	4.7uF 50V M		C5303	QETN1HM-225Z	E CAPACITOR	2.2uF 50V M	
C2012	QEKJ1HM-475Z	E CAPACITOR	4.7uF 50V M		C5304	QETN1CM-107Z	E CAPACITOR	100uF 16V M	
C2013	NDC31HJ-331X	C CAPACITOR	330pF 50V J		C5305	QETN1AM-107Z	E CAPACITOR	100uF 10V M	
C2051	NDC31HJ-331X	C CAPACITOR	330pF 50V J		C5306	NCF31AZ-105X	C CAPACITOR	1uF 10V Z	
C2052	QFV91HJ-823Z	MF CAPACITOR	0.082uF 50V J		C5307	NCB31HK-471X	C CAPACITOR	470pF 50V K	
C2053	NCB31HK-472X	C CAPACITOR	4700pF 50V K		C5308	NCB30JK-105X	C CAPACITOR	1uF 6.3V K	
C2054	NCB31EK-223X	C CAPACITOR	0.022uF 25V K		C5309	QETN1AM-107Z	E CAPACITOR	100uF 10V M	
C2055	QEKJ1EM-106Z	E CAPACITOR	10uF 25V M		C5310	QETN1AM-107Z	E CAPACITOR	100uF 10V M	
C2201	QEKJ1EM-106Z	E CAPACITOR	10uF 25V M		C5314	QETN1CM-107Z	E CAPACITOR	100uF 16V M	
C2202	QEKJ1HM-475Z	E CAPACITOR	4.7uF 50V M		C5315	QETN1EM-476Z	E CAPACITOR	47uF 25V M	
C2203	QEKJ1HM-475Z	E CAPACITOR	4.7uF 50V M		C5316	QETN1AM-107Z	E CAPACITOR	100uF 10V M	
C2204	QEKJ0JM-336Z	E CAPACITOR	33uF 6.3V M		C6012	QETN0JM-108Z	E CAPACITOR	1000uF 6.3V M	
C2205	QEKJ1EM-106Z	E CAPACITOR	10uF 25V M		C6013	NDC31HJ-100X	C CAPACITOR	10pF 50V J	
C2206	QEKJ1EM-106Z	E CAPACITOR	10uF 25V M		C6014	NCB31HK-103X	C CAPACITOR	0.01uF 50V K	
C2207	NCB31EK-153X	C CAPACITOR	0.015uF 25V K		C6037	QEKJ1HM-225Z	E CAPACITOR	2.2uF 50V M	
C2208	NCB31EK-153X	C CAPACITOR	0.015uF 25V K		C6701	NCB31HK-102X	C CAPACITOR	1000pF 50V K	
C2209	QEKJ1EM-106Z	E CAPACITOR	10uF 25V M		C6707	NDC31HJ-470X	C CAPACITOR	47pF 50V J	
C2210	QEKJ1EM-106Z	E CAPACITOR	10uF 25V M		C6708	NDC31HJ-8R0X	C CAPACITOR	8pF 50V J	
C2211	QEKJ0JM-336Z	E CAPACITOR	33uF 6.3V M		C6709	NDC31HJ-150X	C CAPACITOR	15pF 50V J	
C2212	QEKJ0JM-476Z	E CAPACITOR	47uF 6.3V M		C6713	NCB30JK-105X	C CAPACITOR	1uF 6.3V K	
C2214	QEKJ1EM-106Z	E CAPACITOR	10uF 25V M		C6714	NCB31HK-222X	C CAPACITOR	2200pF 50V K	
C2215	QEKJ1EM-106Z	E CAPACITOR	10uF 25V M		C6715	QEKJ1HM-225Z	E CAPACITOR	2.2uF 50V M	
C2216	QEKJ1CM-476Z	E CAPACITOR	47uF 16V M		C6716	NCB31HK-222X	C CAPACITOR	2200pF 50V K	
C2218	QEKJ1EM-106Z	E CAPACITOR	10uF 25V M		C6717	QEKJ1HM-225Z	E CAPACITOR	2.2uF 50V M	
C2219	QEKJ1CM-226Z	E CAPACITOR	22uF 16V M		C6719	QEKJ1CM-106Z	E CAPACITOR	10uF 16V M	
C2220	QEKJ1EM-106Z	E CAPACITOR	10uF 25V M		C6720	QEKJ1CM-106Z	E CAPACITOR	10uF 16V M	
C2221	NCB31EK-223X	C CAPACITOR	0.022uF 25V K		C6721	NCB31HK-103X	C CAPACITOR	0.01uF 50V K	
C2222	NCB31EK-103X	C CAPACITOR	0.01uF 25V K		C6723	NCB31HK-103X	C CAPACITOR	0.01uF 50V K	
C2223	NCB31CK-473X	C CAPACITOR	0.047uF 16V K		C6753	QEKJ0JM-227Z	E CAPACITOR	220uF 6.3V M	
C2224	NCB31CK-473X	C CAPACITOR	0.047uF 16V K		C7506	NCB31CK-104X	C CAPACITOR	0.1uF 16V K	
C2225	NCB30JK-105X	C CAPACITOR	1uF 6.3V K		C7507	QEKJ0JM-107Z	E CAPACITOR	100uF 6.3V M	
C2226	NCB30JK-105X	C CAPACITOR	1uF 6.3V K		C7508	NCB31CK-104X	C CAPACITOR	0.1uF 16V K	
C2227	QEKJ1EM-106Z	E CAPACITOR	10uF 25V M		C8001	QEKJ1CM-226Z	E CAPACITOR	22uF 16V M	
C2230	QEKJ1EM-106Z	E CAPACITOR	10uF 25V M		C8002	QEKJ1CM-226Z	E CAPACITOR	22uF 16V M	
C2231	QEKJ1EM-106Z	E CAPACITOR	10uF 25V M		C8003	NCB31HK-821X	C CAPACITOR	820pF 50V K	
C2251	NCB31EK-103X	C CAPACITOR	0.01uF 25V K		C8004	NCB31HK-821X	C CAPACITOR	820pF 50V K	
C2252	NCB31EK-103X	C CAPACITOR	0.01uF 25V K		C8005	NCB31HK-821X	C CAPACITOR	820pF 50V K	
C2253	NCB31EK-103X	C CAPACITOR	0.01uF 25V K		C8006	NCB31HK-821X	C CAPACITOR	820pF 50V K	
C2254	QEKJ0JM-476Z	E CAPACITOR	47uF 6.3V M		C8007	QEKJ1CM-226Z	E CAPACITOR	22uF 16V M	
C2255	NCB31EK-103X	C CAPACITOR	0.01uF 25V K		C8008	QEKJ1CM-226Z	E CAPACITOR	22uF 16V M	
C2256	NCB31EK-103X	C CAPACITOR	0.01uF 25V K		C8009	NCB31HK-222X	C CAPACITOR	2200pF 50V K	
C2257	NCB31EK-103X	C CAPACITOR	0.01uF 25V K		C8010	NCB31HK-222X	C CAPACITOR	2200pF 50V K	
C2258	NDC31HJ-181X	C CAPACITOR	180pF 50V J		C8051	QEKJ1CM-107Z	E CAPACITOR	100uF 16V M	
C2259	QEKJ1HM-334Z	E CAPACITOR	0.33uF 50V M		C8053	NCB31HK-222X	C CAPACITOR	2200pF 50V K	
C2261	NDC31HJ-101X	C CAPACITOR	100pF 50V J		C8054	QEKJ1CM-107Z	E CAPACITOR	100uF 16V M	
C2262	NDC31HJ-101X	C CAPACITOR	100pF 50V J		C8055	QEKJ1CM-107Z	E CAPACITOR	100uF 16V M	
C3008	NDC31HJ-101X	C CAPACITOR	100pF 50V J		C8201	QEKJ0JM-476Z	E CAPACITOR	47uF 6.3V M	
C3011	QETL0JM-338	E CAPACITOR	3300uF 6.3V M		C8202	NCF31EZ-104X	C CAPACITOR	0.1uF 25V Z	
C3012	QETN1EM-476Z	E CAPACITOR	47uF 25V M		C8203	NCF31EZ-104X	C CAPACITOR	0.1uF 25V Z	
C3015	NCB31CK-104X	C CAPACITOR	0.1uF 16V K		C8301	QETN1CM-107Z	E CAPACITOR	100uF 16V M	
C3016	NCB31EK-473X	C CAPACITOR	0.047uF 25V K		C8302	NCB31EK-103X	C CAPACITOR	0.01uF 25V K	
C3020	NDC31HJ-101X	C CAPACITOR	100pF 50V J		C8303	NCF31EZ-104X	C CAPACITOR	0.1uF 25V Z	
C3021	NDC31HJ-101X	C CAPACITOR	100pF 50V J		R1	NRSA63J-622X	MG RESISTOR	6.2kΩ 1/16W J	
C3022	NCB31EK-104X	C CAPACITOR	0.1uF 25V K		R2	NRSA63J-152X	MG RESISTOR	1.5kΩ 1/16W J	
C3024	NDC31HJ-120X	C CAPACITOR	12pF 50V J		R3	NRSA63J-472X	MG RESISTOR	4.7kΩ 1/16W J	
C3025	QAT3725-300Z	TRIM CAPACITOR	30pF TIMER CLOCK		R11	NRSA63J-273X	MG RESISTOR	27kΩ 1/16W J	
C3027	QEKJ1EM-106Z	E CAPACITOR	10uF 25V M		R12	NRSA63J-102X	MG RESISTOR	1kΩ 1/16W J	
C3030	QEKJ0JM-476Z	E CAPACITOR	47uF 6.3V M		R21	NRSA63J-222X	MG RESISTOR	2.2kΩ 1/16W J	
C3032	NCB31CK-473X	C CAPACITOR	0.047uF 16V K		R22	NRSA63J-222X	MG RESISTOR	2.2kΩ 1/16W J	
C3033	NCB31EK-473X	C CAPACITOR	0.047uF 25V K		R36	NRSA63J-472X	MG RESISTOR	4.7kΩ 1/16W J	
C3036	NDC31HJ-180X	C CAPACITOR	18pF 50V J		R37	NRSA63J-153X	MG RESISTOR	15kΩ 1/16W J	
C3037	NDC31HJ-120X	C CAPACITOR	12pF 50V J		R38	NRSA63J-685X	MG RESISTOR	6.8kΩ 1/16W J	
C3040	NCB31EK-103X	C CAPACITOR	0.01uF 25V K		R201	NRSA63J-0R0X	MG RESISTOR	0Ω 1/16W J	
C3050	NCF31EZ-104X	C CAPACITOR	0.1uF 25V Z		R202	NRSA63J-103X	MG RESISTOR	10kΩ 1/16W J	
C3054	NCB31EK-103X	C CAPACITOR	0.01uF 25V K						

MODEL	MARK
HR-XV38SAA	A
HR-XV38SAS	B

△ Symbol No.	Part No.	Part Name	Description	Local	△ Symbol No.	Part No.	Part Name	Description	Local
R203	NRSA63J-103X	MG RESISTOR	10kΩ 1/16W J		R3013	NRSA63J-102X	MG RESISTOR	1kΩ 1/16W J	
R204	NRSA63J-103X	MG RESISTOR	10kΩ 1/16W J		R3014	NRSA63J-102X	MG RESISTOR	1kΩ 1/16W J	
R208	NRSA63J-222X	MG RESISTOR	2.2kΩ 1/16W J		R3015	NRSA63J-102X	MG RESISTOR	1kΩ 1/16W J	
R213	NRSA63J-222X	MG RESISTOR	2.2kΩ 1/16W J		R3016	NRSA63J-102X	MG RESISTOR	1kΩ 1/16W J	
R216	NRSA63J-103X	MG RESISTOR	10kΩ 1/16W J		R3017	NRSA63J-102X	MG RESISTOR	1kΩ 1/16W J	
R220	NRSA63J-0R0X	MG RESISTOR	0Ω 1/16W J		R3019	NRSA63J-102X	MG RESISTOR	1kΩ 1/16W J	
R226	NRSA63J-102X	MG RESISTOR	1kΩ 1/16W J		R3020	NRSA63J-102X	MG RESISTOR	1kΩ 1/16W J	
R2003	NRSA63J-101X	MG RESISTOR	100Ω 1/16W J		R3021	NRSA63J-102X	MG RESISTOR	1kΩ 1/16W J	
R2005	NRSA63J-153X	MG RESISTOR	15kΩ 1/16W J		R3022	NRSA63J-102X	MG RESISTOR	1kΩ 1/16W J	
R2007	NRSA63J-183X	MG RESISTOR	18kΩ 1/16W J		R3025	NRSA63J-472X	MG RESISTOR	4.7kΩ 1/16W J	
R2008	NRSA63J-103X	MG RESISTOR	10kΩ 1/16W J		R3026	NRSA63J-472X	MG RESISTOR	4.7kΩ 1/16W J	
R2010	NRSA63J-123X	MG RESISTOR	12kΩ 1/16W J		R3027	NRSA63J-472X	MG RESISTOR	4.7kΩ 1/16W J	
R2013	NRSA63J-123X	MG RESISTOR	12kΩ 1/16W J		R3029	NRSA63J-102X	MG RESISTOR	1kΩ 1/16W J	
R2014	NRSA63J-394X	MG RESISTOR	390kΩ 1/16W J		R3032	NRSA63J-102X	MG RESISTOR	1kΩ 1/16W J	
R2015	NRSA63J-271X	MG RESISTOR	270Ω 1/16W J		R3036	NRSA63J-0R0X	MG RESISTOR	0Ω 1/16W J	
R2016	NRSA63J-333X	MG RESISTOR	33kΩ 1/16W J		R3037	NRSA63J-0R0X	MG RESISTOR	0Ω 1/16W J	
R2017	NRSA63J-223X	MG RESISTOR	22kΩ 1/16W J		R3038	NRSA63J-152X	MG RESISTOR	1.5kΩ 1/16W J	
R2018	NRSA63J-472X	MG RESISTOR	4.7kΩ 1/16W J		R3039	NRSA63J-0R0X	MG RESISTOR	0Ω 1/16W J	
R2019	NRSA63J-472X	MG RESISTOR	4.7kΩ 1/16W J		R3040	NRSA63J-0R0X	MG RESISTOR	0Ω 1/16W J	
R2021	NRSA63J-333X	MG RESISTOR	33kΩ 1/16W J		R3041	NRSA63J-0R0X	MG RESISTOR	0Ω 1/16W J	
R2022	NRSA63J-103X	MG RESISTOR	10kΩ 1/16W J		R3042	NRSA63J-0R0X	MG RESISTOR	0Ω 1/16W J	
R2023	NRSA63J-103X	MG RESISTOR	10kΩ 1/16W J		R3044	NRSA63J-0R0X	MG RESISTOR	0Ω 1/16W J	
R2053	NRSA63J-123X	MG RESISTOR	12kΩ 1/16W J		R3046	NRSA63J-102X	MG RESISTOR	1kΩ 1/16W J	
R2054	NRSA63J-123X	MG RESISTOR	12kΩ 1/16W J		R3047	NRSA63J-102X	MG RESISTOR	1kΩ 1/16W J	
R2055	NRSA63J-3R3X	MG RESISTOR	3.3Ω 1/16W J		R3048	NRSA63J-102X	MG RESISTOR	1kΩ 1/16W J	
R2056	QRE141J-820Y	C RESISTOR	82Ω 1/4W J		R3049	NRSA63J-0R0X	MG RESISTOR	0Ω 1/16W J	
R2057	NRSA63J-473X	MG RESISTOR	47kΩ 1/16W J		R3050	NRSA63J-0R0X	MG RESISTOR	0Ω 1/16W J	
R2058	NRSA63J-183X	MG RESISTOR	18kΩ 1/16W J		R3051	NRSA63J-102X	MG RESISTOR	1kΩ 1/16W J	
R2059	NRSA63J-473X	MG RESISTOR	47kΩ 1/16W J		R3052	NRSA63J-471X	MG RESISTOR	470Ω 1/16W J	
R2060	NRSA63J-183X	MG RESISTOR	18kΩ 1/16W J		R3053	NRSA63J-471X	MG RESISTOR	470Ω 1/16W J	
R2201	NRSA63J-473X	MG RESISTOR	47kΩ 1/16W J		R3054	NRSA63J-102X	MG RESISTOR	1kΩ 1/16W J	
R2202	NRSA63J-682X	MG RESISTOR	6.8kΩ 1/16W J		R3055	NRSA63J-102X	MG RESISTOR	1kΩ 1/16W J	
R2203	NRSA63J-473X	MG RESISTOR	47kΩ 1/16W J		R3056	NRSA63J-102X	MG RESISTOR	1kΩ 1/16W J	
R2204	NRSA63J-682X	MG RESISTOR	6.8kΩ 1/16W J		R3058	QRE141J-102Y	C RESISTOR	1kΩ 1/4W J	
R2205	NRSA63J-473X	MG RESISTOR	47kΩ 1/16W J		R3062	NRSA63J-103X	MG RESISTOR	10kΩ 1/16W J	
R2206	NRSA63J-682X	MG RESISTOR	6.8kΩ 1/16W J		R3063	NRSA63J-0R0X	MG RESISTOR	0Ω 1/16W J	
R2207	NRSA63J-473X	MG RESISTOR	47kΩ 1/16W J		R3066	NRSA63J-472X	MG RESISTOR	4.7kΩ 1/16W J	
R2208	NRSA63J-682X	MG RESISTOR	6.8kΩ 1/16W J		R3069	NRSA63J-101X	MG RESISTOR	100Ω 1/16W J	
R2209	NRSA63J-681X	MG RESISTOR	680Ω 1/16W J		R3071	NRSA63J-103X	MG RESISTOR	10kΩ 1/16W J	
R2210	NRSA63J-472X	MG RESISTOR	4.7kΩ 1/16W J		R3072	NRSA63J-102X	MG RESISTOR	1kΩ 1/16W J	
R2211	NRSA63J-562X	MG RESISTOR	5.6kΩ 1/16W J		R3075	NRSA63J-471X	MG RESISTOR	470Ω 1/16W J	
R2212	NRSA63J-562X	MG RESISTOR	5.6kΩ 1/16W J		R3076	NRSA63J-471X	MG RESISTOR	470Ω 1/16W J	
R2213	NRSA63J-472X	MG RESISTOR	4.7kΩ 1/16W J		R3080	NRSA63J-102X	MG RESISTOR	1kΩ 1/16W J	
R2214	NRSA63J-681X	MG RESISTOR	680Ω 1/16W J		R3093	NRSA63J-472X	MG RESISTOR	4.7kΩ 1/16W J	
R2215	NRSA63J-0R0X	MG RESISTOR	0Ω 1/16W J		R3095	NRSA63J-472X	MG RESISTOR	4.7kΩ 1/16W J	
R2216	NRSA63J-561X	MG RESISTOR	560Ω 1/16W J		R3103	NRSA63J-0R0X	MG RESISTOR	0Ω 1/16W J	
R2217	NRSA63J-472X	MG RESISTOR	4.7kΩ 1/16W J		R3105	NRSA63J-0R0X	MG RESISTOR	0Ω 1/16W J	
R2218	NRSA63J-332X	MG RESISTOR	3.3kΩ 1/16W J		R3205	QRE141J-181Y	C RESISTOR	180Ω 1/4W J	
R2219	NRSA63J-122X	MG RESISTOR	1.2kΩ 1/16W J		R3206	NRSA63J-123X	MG RESISTOR	12kΩ 1/16W J	
R2220	NRSA63J-102X	MG RESISTOR	1kΩ 1/16W J		R3207	NRSA63J-183X	MG RESISTOR	18kΩ 1/16W J	
R2222	NRSA63J-472X	MG RESISTOR	4.7kΩ 1/16W J		R3208	NRSA63J-121X	MG RESISTOR	120Ω 1/16W J	
R2223	NRSA63J-511X	MG RESISTOR	510Ω 1/16W J		R3209	NRSA63J-183X	MG RESISTOR	18kΩ 1/16W J	
R2224	NRSA63J-511X	MG RESISTOR	510Ω 1/16W J		R3210	NRSA63J-121X	MG RESISTOR	120Ω 1/16W J	
R2225	NRSA63J-472X	MG RESISTOR	4.7kΩ 1/16W J		R3211	NRSA63J-183X	MG RESISTOR	18kΩ 1/16W J	
R2226	NRSA63J-103X	MG RESISTOR	10kΩ 1/16W J		R3212	QRE141J-474Y	C RESISTOR	470kΩ 1/4W J	
R2227	NRSA63J-153X	MG RESISTOR	15kΩ 1/16W J		R3213	NRSA63J-334X	MG RESISTOR	330kΩ 1/16W J	
R2228	NRSA63J-103X	MG RESISTOR	10kΩ 1/16W J		R3214	QRE141J-103Y	C RESISTOR	10kΩ 1/4W J	
R2229	NRSA63J-153X	MG RESISTOR	15kΩ 1/16W J		R3215	NRSA63J-103X	MG RESISTOR	10kΩ 1/16W J	
R2230	NRSA63J-392X	MG RESISTOR	3.9kΩ 1/16W J		R3216	NRSA63J-103X	MG RESISTOR	10kΩ 1/16W J	
R2231	NRSA63J-471X	MG RESISTOR	470Ω 1/16W J		R3217	NRSA63J-103X	MG RESISTOR	10kΩ 1/16W J	
R2232	NRSA63J-392X	MG RESISTOR	3.9kΩ 1/16W J		R3218	NRSA63J-472X	MG RESISTOR	4.7kΩ 1/16W J	
R2233	NRSA63J-471X	MG RESISTOR	470Ω 1/16W J		R3219	NRSA63J-472X	MG RESISTOR	4.7kΩ 1/16W J	
R2234	NRSA63J-101X	MG RESISTOR	100Ω 1/16W J		R3220	QRE141J-104Y	C RESISTOR	100kΩ 1/4W J	
R2235	NRSA63J-681X	MG RESISTOR	680Ω 1/16W J		R3222	NRSA63J-472X	MG RESISTOR	4.7kΩ 1/16W J	
R2236	NRSA63J-272X	MG RESISTOR	2.7kΩ 1/16W J		R3223	NRSA63J-472X	MG RESISTOR	4.7kΩ 1/16W J	
R2237	NRSA63J-681X	MG RESISTOR	680Ω 1/16W J		R3224	NRSA63J-472X	MG RESISTOR	4.7kΩ 1/16W J	
R2238	NRSA63J-272X	MG RESISTOR	2.7kΩ 1/16W J		R3225	NRSA63J-103X	MG RESISTOR	10kΩ 1/16W J	
R2239	NRSA63J-471X	MG RESISTOR	470Ω 1/16W J		R3229	NRSA63J-105X	MG RESISTOR	1MΩ 1/16W J	
R2240	NRSA63J-471X	MG RESISTOR	470Ω 1/16W J		R3230	NRSA63J-472X	MG RESISTOR	4.7kΩ 1/16W J	
R2241	NRSA63J-473X	MG RESISTOR	47kΩ 1/16W J		R3231	NRSA63J-102X	MG RESISTOR	1kΩ 1/16W J	
R2242	NRSA63J-682X	MG RESISTOR	6.8kΩ 1/16W J		R3233	NRSA63J-103X	MG RESISTOR	10kΩ 1/16W J	
R2243	NRSA63J-473X	MG RESISTOR	47kΩ 1/16W J		R3235	QRE141J-332Y	C RESISTOR	3.3kΩ 1/4W J	
R2244	NRSA63J-682X	MG RESISTOR	6.8kΩ 1/16W J		R3236	QRE141J-332Y	C RESISTOR	3.3kΩ 1/4W J	
R2251	NRSA63J-472X	MG RESISTOR	4.7kΩ 1/16W J		R3237	NRSA63J-103X	MG RESISTOR	10kΩ 1/16W J	
R2252	NRSA63J-221X	MG RESISTOR	220Ω 1/16W J		R3253	NRSA63J-103X	MG RESISTOR	10kΩ 1/16W J	
R2253	NRSA63J-101X	MG RESISTOR	100Ω 1/16W J		R3307	NRSA63J-182X	MG RESISTOR	1.8kΩ 1/16W J	
R2255	NRSA63J-273X	MG RESISTOR	27kΩ 1/16W J		R3308	NRSA63J-182X	MG RESISTOR	1.8kΩ 1/16W J	
R3011	NRSA63J-102X	MG RESISTOR	1kΩ 1/16W J		R4003	NRSA63J-561X	MG RESISTOR	560Ω 1/16W J	

MODEL	MARK
HR-XV38SAA	A
HR-XV38SAS	B

△ Symbol No.	Part No.	Part Name	Description	Local	△ Symbol No.	Part No.	Part Name	Description	Local
R4004	NRSA63J-561X	MG RESISTOR	560Ω 1/16W J		R8204	NRSA63J-473X	MG RESISTOR	47kΩ 1/16W J	
R4005	NRSA63J-562X	MG RESISTOR	5.6kΩ 1/16W J		R8205	NRSA63J-103X	MG RESISTOR	10kΩ 1/16W J	
R4007	NRSA63J-102X	MG RESISTOR	1kΩ 1/16W J		R8206	NRSA63J-103X	MG RESISTOR	10kΩ 1/16W J	
R4008	NRSA63J-102X	MG RESISTOR	1kΩ 1/16W J		R8207	NRSA63J-103X	MG RESISTOR	10kΩ 1/16W J	
R4009	NRSA63J-102X	MG RESISTOR	1kΩ 1/16W J		R8214	NRSA63J-102X	MG RESISTOR	1kΩ 1/16W J	
R4010	NRSA63J-103X	MG RESISTOR	10kΩ 1/16W J		R8215	NRSA63J-102X	MG RESISTOR	1kΩ 1/16W J	
R4012	NRSA63J-222X	MG RESISTOR	2.2kΩ 1/16W J		R8216	NRSA63J-102X	MG RESISTOR	1kΩ 1/16W J	
R4013	NRSA63J-0R0X	MG RESISTOR	0Ω 1/16W J		R8217	NRSA63J-102X	MG RESISTOR	1kΩ 1/16W J	
R4015	NRSA63J-562X	MG RESISTOR	5.6kΩ 1/16W J		R8221	NRSA63J-102X	MG RESISTOR	1kΩ 1/16W J	
R4017	NRSA63J-102X	MG RESISTOR	1kΩ 1/16W J		R8222	NRSA63J-102X	MG RESISTOR	1kΩ 1/16W J	
R5311	NRSA63J-103X	MG RESISTOR	10kΩ 1/16W J		R8223	NRSA63J-102X	MG RESISTOR	1kΩ 1/16W J	
R5312	NRSA63J-102X	MG RESISTOR	1kΩ 1/16W J		R8227	NRSA63J-102X	MG RESISTOR	1kΩ 1/16W J	
R5313	NRSA63J-122X	MG RESISTOR	1.2kΩ 1/16W J		R8250	NRSA63J-222X	MG RESISTOR	2.2kΩ 1/16W J	
R5316	NRSA63J-181X	MG RESISTOR	180Ω 1/16W J		R8251	NRSA63J-222X	MG RESISTOR	2.2kΩ 1/16W J	
R5318	NRSA63J-221X	MG RESISTOR	220Ω 1/16W J		R8252	NRSA63J-222X	MG RESISTOR	2.2kΩ 1/16W J	
R5319	NRSA63J-560X	MG RESISTOR	56Ω 1/16W J		R8259	NRSA63J-0R0X	MG RESISTOR	0Ω 1/16W J	
R5320	NRSA63J-153X	MG RESISTOR	15kΩ 1/16W J		R8260	NRSA63J-0R0X	MG RESISTOR	0Ω 1/16W J	
R5321	NRSA63J-473X	MG RESISTOR	47kΩ 1/16W J		R8262	QRE141J-222Y	C RESISTOR	2.2kΩ 1/4W J	
R5325	QRE141J-101Y	C RESISTOR	100Ω 1/4W J		R8263	QRE141J-222Y	C RESISTOR	2.2kΩ 1/4W J	
R6020	NRSA63J-102X	MG RESISTOR	1kΩ 1/16W J		R8301	QRE141J-4R7Y	C RESISTOR	4.7Ω 1/4W J	
R6021	NRSA63J-102X	MG RESISTOR	1kΩ 1/16W J						
R6030	NRSA63J-332X	MG RESISTOR	3.3kΩ 1/16W J		L3	QQL29BJ-100Z	P COIL	10uH J	
R6031	NRSA63J-101X	MG RESISTOR	100Ω 1/16W J		L5	QQL29BJ-100Z	P COIL	10uH J	
R6032	NRSA63J-182X	MG RESISTOR	1.8kΩ 1/16W J		L6	QQL29BJ-100Z	P COIL	10uH J	
R6033	NRSA63J-272X	MG RESISTOR	2.7kΩ 1/16W J		L10	QQL29BJ-100Z	P COIL	10uH J	
R6050	NRSA63J-101X	MG RESISTOR	100Ω 1/16W J		L15	QQL071J-120Y	COIL	12uH J	
R6052	NRSA63J-102X	MG RESISTOR	1kΩ 1/16W J		L201	QQL29BK-1R0Z	P COIL	1uH K	
R6053	NRSA63J-102X	MG RESISTOR	1kΩ 1/16W J		L203	QQL29BJ-220Z	P COIL	22uH J	
R6054	NRSA63J-101X	MG RESISTOR	100Ω 1/16W J		L206	QQL071J-220Y	COIL	22uH J	
R6707	NRSA63J-330X	MG RESISTOR	33Ω 1/16W J		L2251	QQL29BJ-100Z	P COIL	10uH J	
R6708	NRSA63J-103X	MG RESISTOR	10kΩ 1/16W J		L2252	QQL29BJ-151Z	P COIL	150uH J	
R6709	NRSA63J-102X	MG RESISTOR	1kΩ 1/16W J		L4001	QQL231J-1R0Y	COIL	1uH J	
R6710	NRSA63J-0R0X	MG RESISTOR	0Ω 1/16W J		L5303	QQL231J-220Y	COIL	22uH J	
R6711	NRSA63J-104X	MG RESISTOR	100kΩ 1/16W J		L6002	QQL29BK-1R0Z	P COIL	1uH K	
R6712	NRSA63J-102X	MG RESISTOR	1kΩ 1/16W J		L6003	QQL29BK-1R0Z	P COIL	1uH K	
R6713	NRSA63J-123X	MG RESISTOR	12kΩ 1/16W J		L6005	QQL071J-5R6Y	COIL	5.6uH J	
R6714	NRSA63J-102X	MG RESISTOR	1kΩ 1/16W J		L6701	QQL29BJ-3R3Z	P COIL	3.3uH J	
R6715	NRSA63J-123X	MG RESISTOR	12kΩ 1/16W J		L6702	QQL29BJ-3R3Z	P COIL	3.3uH J	
R6716	NRSA63J-470X	MG RESISTOR	47Ω 1/16W J		L7502	QQL29BK-1R0Z	P COIL	1uH K	
R6719	NRSA63J-103X	MG RESISTOR	10kΩ 1/16W J		T2051	QQR0002-001	BIAS COIL		
R6720	NRSA63J-562X	MG RESISTOR	5.6kΩ 1/16W J						
R6721	NRSA63J-562X	MG RESISTOR	5.6kΩ 1/16W J		B1	NRSA63J-0R0X	MG RESISTOR	0Ω 1/16W J	
R7103	NRSA63J-181X	MG RESISTOR	180Ω 1/16W J		B4	NRSA63J-0R0X	MG RESISTOR	0Ω 1/16W J	
R7104	NRSA63J-332X	MG RESISTOR	3.3kΩ 1/16W J		B7	NRSA63J-0R0X	MG RESISTOR	0Ω 1/16W J	
R7105	NRSA63J-181X	MG RESISTOR	180Ω 1/16W J		B206	NRSA63J-0R0X	MG RESISTOR	0Ω 1/16W J	
R7106	NRSA63J-332X	MG RESISTOR	3.3kΩ 1/16W J		B5301	NRSA63J-0R0X	MG RESISTOR	0Ω 1/16W J	
R7107	NRSA63J-820X	MG RESISTOR	82Ω 1/16W J		B5392	NRSA63J-0R0X	MG RESISTOR	0Ω 1/16W J	
R7109	NRSA63J-820X	MG RESISTOR	82Ω 1/16W J		B5393	NRSA63J-0R0X	MG RESISTOR	0Ω 1/16W J	
R7111	NRSA63J-181X	MG RESISTOR	180Ω 1/16W J		B6001	NRSA63J-102X	MG RESISTOR	1kΩ 1/16W J	
R7112	NRSA63J-222X	MG RESISTOR	2.2kΩ 1/16W J		B6002	NRSA63J-0R0X	MG RESISTOR	0Ω 1/16W J	
R7211	NRSA63J-101X	MG RESISTOR	100Ω 1/16W J		B6004	NRSA63J-0R0X	MG RESISTOR	0Ω 1/16W J	
R7507	NRSA63J-472X	MG RESISTOR	4.7kΩ 1/16W J		B6006	NRSA63J-0R0X	MG RESISTOR	0Ω 1/16W J	
R8001	NRSA63J-472X	MG RESISTOR	4.7kΩ 1/16W J		B6007	NRSA63J-0R0X	MG RESISTOR	0Ω 1/16W J	
R8002	NRSA63J-472X	MG RESISTOR	4.7kΩ 1/16W J		B7102	NRSA63J-0R0X	MG RESISTOR	0Ω 1/16W J	
R8003	NRSA63J-102X	MG RESISTOR	1kΩ 1/16W J		B7105	NRSA63J-0R0X	MG RESISTOR	0Ω 1/16W J	
R8004	NRSA63J-102X	MG RESISTOR	1kΩ 1/16W J		CN1	QGF1201C2-09	CONNECTOR	FFC/FPC (1-9)	
R8005	NRSA63J-272X	MG RESISTOR	2.7kΩ 1/16W J		CN2001	QGF1207C1-06	CONNECTOR	FFC/FPC (1-6)	
R8006	NRSA63J-272X	MG RESISTOR	2.7kΩ 1/16W J		CN2002	QGB2532J1-02	CONNECTOR	B-B (1-2)	
R8007	NRSA63J-332X	MG RESISTOR	3.3kΩ 1/16W J		CN3001	QGB2032M4-12	CONNECTOR	B-B (1-12)	
R8008	NRSA63J-332X	MG RESISTOR	3.3kΩ 1/16W J		CN3102	QGF1207C1-22	CONNECTOR	FFC/FPC (1-22)	
R8009	NRSA63J-392X	MG RESISTOR	3.9kΩ 1/16W J		CN5401	QGB1231M1-11	CONNECTOR	B-B (1-11)	
R8010	NRSA63J-392X	MG RESISTOR	3.9kΩ 1/16W J		CN7101	QGB2024K1-16S	CONNECTOR	B-B (1-16)	
R8013	NRSA63J-273X	MG RESISTOR	27kΩ 1/16W J		CN7102	QGB2024K1-14S	CONNECTOR	B-B (1-14)	
R8014	NRSA63J-273X	MG RESISTOR	27kΩ 1/16W J		CN7103	QGB2024K1-09S	CONNECTOR	B-B (1-9)	
R8015	NRSA63J-821X	MG RESISTOR	820Ω 1/16W J		CN7104	QGF1207C1-10	CONNECTOR	FFC/FPC (1-10)	
R8016	NRSA63J-821X	MG RESISTOR	820Ω 1/16W J		CN7301	QGF1016C3-19	CONNECTOR	FFC/FPC (1-19)	
R8017	NRSA63J-103X	MG RESISTOR	10kΩ 1/16W J		CN7302	QGF1016C3-17	CONNECTOR	FFC/FPC (1-17)	
R8018	NRSA63J-103X	MG RESISTOR	10kΩ 1/16W J		CN8301	QGF1016C3-05	CONNECTOR	FFC/FPC (1-5)	
R8051	NRSA63J-0R0X	MG RESISTOR	0Ω 1/16W J		△ CP3002	NMFZ012-1R0X-M FUSE		1A 50V	
R8054	QRE141J-473Y	C RESISTOR	47kΩ 1/4W J		△ CP3102	QMFZ054-1R5X-J1 FUSE		1.5A	
R8055	NRSA63J-473X	MG RESISTOR	47kΩ 1/16W J		△ CP4002	NMFZ012-1R0X-M FUSE		1A 50V	
R8056	NRSA63J-562X	MG RESISTOR	5.6kΩ 1/16W J		△ CP5303	NMFZ012-1R0X-M FUSE		1A 50V	
R8057	NRSA63J-562X	MG RESISTOR	5.6kΩ 1/16W J		△ CP5304	NMFZ012-1R0X-M FUSE		1A 50V	
R8058	NRSA63J-562X	MG RESISTOR	5.6kΩ 1/16W J		J7010	TOTX147	OPT TRANSMITTER	OPTICAL	
R8059	NRSA63J-562X	MG RESISTOR	5.6kΩ 1/16W J		J7202	QNS0100-001	3.5 JACK	PAUSE	
R8201	NRSA63J-182X	MG RESISTOR	1.8kΩ 1/16W J		JS3001	NSW0238-001	ROTARY ENCODER		
R8202	NRSA63J-182X	MG RESISTOR	1.8kΩ 1/16W J		K2001	NRSA63J-0R0X	MG RESISTOR	0Ω 1/16W J	
R8203	NRSA63J-182X	MG RESISTOR	1.8kΩ 1/16W J		K2002	NRSA63J-0R0X	MG RESISTOR	0Ω 1/16W J	

MODEL	MARK
HR-XV38SAA	A
HR-XV38SAS	B

△ Symbol No. Part No. Part Name Description Local

Terminal board

Block No. [0][6]

K2003	NRSA63J-0R0X	MG RESISTOR	0Ω 1/16W J	
K2004	NRSA63J-0R0X	MG RESISTOR	0Ω 1/16W J	
K6701	NQR0129-003X	FERRITE BEADS		
K6702	NQR0129-003X	FERRITE BEADS		
K6703	NQR0129-003X	FERRITE BEADS		
K6704	NQR0129-003X	FERRITE BEADS		
K6705	NQR0129-003X	FERRITE BEADS		
K6706	NQR0129-003X	FERRITE BEADS		
K7501	NQR0147-004X	FERRITE BEADS		
K7502	NQR0147-004X	FERRITE BEADS		
OT1	LP31158-001A	BOSS(MECHA) 1		
OT2	LP31185-001A	BOSS(MECHA) 2	(x2)	
S3001	QSW0602-004	PUSH SWITCH	REC.SAFETY	
SD1	LP31179-001A	SHIELD PLATE(PRE/REC)		
TU6001	QAU0400-001	TUNER		
W1	NRSA63J-0R0X	MG RESISTOR	0Ω 1/16W J	
W2	NRSA63J-0R0X	MG RESISTOR	0Ω 1/16W J	
W3	NRSA63J-0R0X	MG RESISTOR	0Ω 1/16W J	
W4	NRSA63J-0R0X	MG RESISTOR	0Ω 1/16W J	
W5	NRSA63J-0R0X	MG RESISTOR	0Ω 1/16W J	
W6	NRSA63J-0R0X	MG RESISTOR	0Ω 1/16W J	
W7	NRSA63J-0R0X	MG RESISTOR	0Ω 1/16W J	
W9	NRSA63J-0R0X	MG RESISTOR	0Ω 1/16W J	
W10	NRSA63J-0R0X	MG RESISTOR	0Ω 1/16W J	
W11	NRSA63J-0R0X	MG RESISTOR	0Ω 1/16W J	
W12	NRSA63J-0R0X	MG RESISTOR	0Ω 1/16W J	
W13	NRSA63J-0R0X	MG RESISTOR	0Ω 1/16W J	
W15	NRSA63J-0R0X	MG RESISTOR	0Ω 1/16W J	
W16	NRSA63J-0R0X	MG RESISTOR	0Ω 1/16W J	
W17	NRSA63J-0R0X	MG RESISTOR	0Ω 1/16W J	
W18	NRSA63J-0R0X	MG RESISTOR	0Ω 1/16W J	
W19	NRSA63J-0R0X	MG RESISTOR	0Ω 1/16W J	
W20	NRSA63J-0R0X	MG RESISTOR	0Ω 1/16W J	
W21	NRSA63J-0R0X	MG RESISTOR	0Ω 1/16W J	
W22	NRSA63J-0R0X	MG RESISTOR	0Ω 1/16W J	
W23	NRSA63J-0R0X	MG RESISTOR	0Ω 1/16W J	
W24	NRSA63J-0R0X	MG RESISTOR	0Ω 1/16W J	
W25	NRSA63J-0R0X	MG RESISTOR	0Ω 1/16W J	
W26	NRSA63J-0R0X	MG RESISTOR	0Ω 1/16W J	
W27	NRSA63J-0R0X	MG RESISTOR	0Ω 1/16W J	
W28	NRSA63J-0R0X	MG RESISTOR	0Ω 1/16W J	
W30	NRSA63J-0R0X	MG RESISTOR	0Ω 1/16W J	
W32	NRSA63J-0R0X	MG RESISTOR	0Ω 1/16W J	
W33	NRSA63J-0R0X	MG RESISTOR	0Ω 1/16W J	
W34	NRSA63J-0R0X	MG RESISTOR	0Ω 1/16W J	
W35	NRSA63J-0R0X	MG RESISTOR	0Ω 1/16W J	
W36	NRSA63J-0R0X	MG RESISTOR	0Ω 1/16W J	
W37	NRSA63J-0R0X	MG RESISTOR	0Ω 1/16W J	
W38	NRSA63J-0R0X	MG RESISTOR	0Ω 1/16W J	
W39	NRSA63J-0R0X	MG RESISTOR	0Ω 1/16W J	
W40	NRSA63J-0R0X	MG RESISTOR	0Ω 1/16W J	
W41	NRSA63J-0R0X	MG RESISTOR	0Ω 1/16W J	
W42	NRSA63J-0R0X	MG RESISTOR	0Ω 1/16W J	
W43	NRSA63J-0R0X	MG RESISTOR	0Ω 1/16W J	
W44	NRSA63J-0R0X	MG RESISTOR	0Ω 1/16W J	
W45	NRSA63J-0R0X	MG RESISTOR	0Ω 1/16W J	
W46	NRSA63J-0R0X	MG RESISTOR	0Ω 1/16W J	
W47	NRSA63J-0R0X	MG RESISTOR	0Ω 1/16W J	
W48	NRSA63J-0R0X	MG RESISTOR	0Ω 1/16W J	
W49	NRSA63J-0R0X	MG RESISTOR	0Ω 1/16W J	
W50	NRSA63J-0R0X	MG RESISTOR	0Ω 1/16W J	
W51	NRSA63J-0R0X	MG RESISTOR	0Ω 1/16W J	
W52	NRSA63J-0R0X	MG RESISTOR	0Ω 1/16W J	
W53	NRSA63J-0R0X	MG RESISTOR	0Ω 1/16W J	
W54	NRSA63J-0R0X	MG RESISTOR	0Ω 1/16W J	
W55	NRSA63J-0R0X	MG RESISTOR	0Ω 1/16W J	
W56	NRSA63J-0R0X	MG RESISTOR	0Ω 1/16W J	
X1	QAX0740-001	CRYSTAL	4.433619MHz	
X2	QAX0739-001	CRYSTAL	3.57MHz	
X3001	QAX0445-001	CRYSTAL	32.768kHz	
X3002	QAX0527-001	CRYSTAL	10.000000MHz	
X6701	QAX0773-001Z	CRYSTAL	18.432000MHz	
X8201	QAX0246-001Z	C RESONATOR	8.00MHz	

△ Symbol No. Part No. Part Name Description Local

PW1 LPA10216-05B TERMINAL BOARD ASSY

IC901	HA118227F	IC		
IC903	BA7623F-X	IC		
Q913	2SA1037AK/QR/-X	TRANSISTOR		
Q913	or 2SB709A/QR/-X	TRANSISTOR		
Q913	or 2SA1530A/QR/-X	TRANSISTOR		
Q917	2SC2412K/QRS/-X	TRANSISTOR		
Q917	or 2SD601A/QRS/-X	TRANSISTOR		
Q917	or 2SC3928A/QRS/-X	TRANSISTOR		
Q918	2SC2412K/QRS/-X	TRANSISTOR		
Q918	or 2SD601A/QRS/-X	TRANSISTOR		
Q918	or 2SC3928A/QRS/-X	TRANSISTOR		
Q919	DTA144WKA-X	TRANSISTOR		
Q919	or UN211E-X	DIGI TRANSISTOR		
Q919	or RT1P44HC-X	DIGI TRANSISTOR		
Q921	2SA1037AK/QR/-X	TRANSISTOR		
Q921	or 2SB709A/QR/-X	TRANSISTOR		
Q921	or 2SA1530A/QR/-X	TRANSISTOR		
Q922	2SA1037AK/QR/-X	TRANSISTOR		
Q922	or 2SB709A/QR/-X	TRANSISTOR		
Q922	or 2SA1530A/QR/-X	TRANSISTOR		
C930	NCB31HK-103X	C CAPACITOR	0.01uF 50V K	
C932	NCF31AZ-105X	C CAPACITOR	1uF 10V Z	
C937	QEKJ1EM-106Z	E CAPACITOR	10uF 25V M	
C939	QEKJ1HM-105Z	E CAPACITOR	1uF 50V M	
C940	QEKJ1HM-105Z	E CAPACITOR	1uF 50V M	
C941	QEKJ1HM-105Z	E CAPACITOR	1uF 50V M	
C942	QEKJ1HM-475Z	E CAPACITOR	4.7uF 50V M	
C954	QEKJ1HM-105Z	E CAPACITOR	1uF 50V M	
C956	QEKJ0JM-476Z	E CAPACITOR	47uF 6.3V M	
C960	NCB31HK-103X	C CAPACITOR	0.01uF 50V K	
C961	QEKJ0JM-476Z	E CAPACITOR	47uF 6.3V M	
C962	NCB31HK-103X	C CAPACITOR	0.01uF 50V K	
C963	QEKJ1CM-476Z	E CAPACITOR	47uF 16V M	
C964	NCB31HK-103X	C CAPACITOR	0.01uF 50V K	
C967	NCB31HK-103X	C CAPACITOR	0.01uF 50V K	
C968	QEKJ1CM-476Z	E CAPACITOR	47uF 16V M	
C969	QEKJ0JM-337Z	E CAPACITOR	330uF 6.3V M	
C970	NCB31HK-103X	C CAPACITOR	0.01uF 50V K	
C980	QDYB1CM-103Y	C CAPACITOR	0.01uF 16V M	
C981	QEKJ0JM-337Z	E CAPACITOR	330uF 6.3V M	
C982	QEKJ0JM-337Z	E CAPACITOR	330uF 6.3V M	
C983	QEKJ0JM-337Z	E CAPACITOR	330uF 6.3V M	
C995	QEKJ0JM-337Z	E CAPACITOR	330uF 6.3V M	
R940	NRSA63J-101X	MG RESISTOR	100Ω 1/16W J	
R945	QRE121J-331Y	C RESISTOR	330Ω 1/2W J	
R949	NRSA63J-103X	MG RESISTOR	10kΩ 1/16W J	
R950	NRSA63J-103X	MG RESISTOR	10kΩ 1/16W J	
R951	NRSA63J-222X	MG RESISTOR	2.2kΩ 1/16W J	
R952	NRSA63J-222X	MG RESISTOR	2.2kΩ 1/16W J	
R954	NRSA63J-101X	MG RESISTOR	100Ω 1/16W J	
R956	NRSA63J-101X	MG RESISTOR	100Ω 1/16W J	
R958	QRE121J-331Y	C RESISTOR	330Ω 1/2W J	
R959	QRE121J-331Y	C RESISTOR	330Ω 1/2W J	
R960	NRSA63J-221X	MG RESISTOR	220Ω 1/16W J	
R961	NRSA63J-221X	MG RESISTOR	220Ω 1/16W J	
R968	NRSA63J-0R0X	MG RESISTOR	0Ω 1/16W J	
R969	NRSA63J-0R0X	MG RESISTOR	0Ω 1/16W J	
R970	NRSA63J-0R0X	MG RESISTOR	0Ω 1/16W J	
R7703	NRSA63J-750X	MG RESISTOR	75Ω 1/16W J	
R7704	NRSA63J-0R0X	MG RESISTOR	0Ω 1/16W J	
R7705	NRSA63J-0R0X	MG RESISTOR	0Ω 1/16W J	
R7708	NRSA63J-750X	MG RESISTOR	75Ω 1/16W J	
R7710	NRSA63J-0R0X	MG RESISTOR	0Ω 1/16W J	
R7711	NRSA63J-0R0X	MG RESISTOR	0Ω 1/16W J	
R7731	NRSA63J-750X	MG RESISTOR	75Ω 1/16W J	
R7732	NRSA63J-750X	MG RESISTOR	75Ω 1/16W J	
R7735	NRSA63J-0R0X	MG RESISTOR	0Ω 1/16W J	
R7736	NRSA63J-0R0X	MG RESISTOR	0Ω 1/16W J	
R7739	NRSA63J-750X	MG RESISTOR	75Ω 1/16W J	

MODEL	MARK
HR-XV38SAA	A
HR-XV38SAS	B

Symbol No.	Part No.	Part Name	Description	Local
R7740	NRSA63J-750X	MG RESISTOR	75Ω 1/16W J	
R7741	NRSA63J-750X	MG RESISTOR	75Ω 1/16W J	
L917	QQL29BJ-100Z	P COIL	10uH J	
L918	QQL29BJ-100Z	P COIL	10uH J	
L919	QQL29BJ-100Z	P COIL	10uH J	
L920	QQL29BJ-100Z	P COIL	10uH J	
L7701	QRE141J-101Y	C RESISTOR	100Ω 1/4W J	
L7702	QRE141J-101Y	C RESISTOR	100Ω 1/4W J	
L7703	QRE141J-101Y	C RESISTOR	100Ω 1/4W J	
L7704	QRE141J-101Y	C RESISTOR	100Ω 1/4W J	
L7731	QRE141J-101Y	C RESISTOR	100Ω 1/4W J	
L7732	QRE141J-101Y	C RESISTOR	100Ω 1/4W J	
B904	NRSA63J-0R0X	MG RESISTOR	0Ω 1/16W J	
CN913	QGB2024J1-14S	CONNECTOR	B-B (1-14)	
CN914	QGB2024J1-16S	CONNECTOR	B-B (1-16)	
CN915	QGB2024J1-09S	CONNECTOR	B-B (1-9)	
J7002	QNN0599-001	PIN JACK	INPUT(L-1)	
J7003	QND0009-001	S JACK	DVD_S-VIDEO OUTPUT	
J7004	QNN0295-002	PIN JACK	DVD_AUDIO OUTPUT	
J7005	QNN0599-002	PIN JACK	COMPONENT VIDEO OUT	
J7007	QNN0599-001	PIN JACK	AUDIO/VIDEO OUTPUT	
W1	NRSA63J-0R0X	MG RESISTOR	0Ω 1/16W J	
W3	NRSA63J-0R0X	MG RESISTOR	0Ω 1/16W J	
W4	NRSA63J-0R0X	MG RESISTOR	0Ω 1/16W J	
W5	NRSA63J-0R0X	MG RESISTOR	0Ω 1/16W J	
W6	NRSA63J-0R0X	MG RESISTOR	0Ω 1/16W J	
W7	NRSA63J-0R0X	MG RESISTOR	0Ω 1/16W J	
W8	NRSA63J-0R0X	MG RESISTOR	0Ω 1/16W J	
W10	NRSA63J-0R0X	MG RESISTOR	0Ω 1/16W J	
W11	NRSA63J-0R0X	MG RESISTOR	0Ω 1/16W J	

A/C head board

Block No. [1][2]

Symbol No.	Part No.	Part Name	Description	Local
PW1	LPA10158-01A1	A/C HEAD BOARD ASSY		

Display/operation board

Block No. [2][8]

Symbol No.	Part No.	Part Name	Description	Local
PW1	LPA10261-02A2	DISPLAY/OPERATION BOARD ASSY		
IC7002	GP1UM281XKVF	IR DETECT UNIT		
IC7002	or PNA4652M00XB	IR DETECT UNIT		
Q7001	2SA1037AK/QR/-X	TRANSISTOR		
Q7001	or 2SB709A/QR/-X	TRANSISTOR		
Q7001	or 2SA1530A/QR/-X	TRANSISTOR		
Q7002	2SA1037AK/QR/-X	TRANSISTOR		
Q7002	or 2SB709A/QR/-X	TRANSISTOR		
Q7002	or 2SA1530A/QR/-X	TRANSISTOR		
Q7003	2SA1037AK/QR/-X	TRANSISTOR		
Q7003	or 2SB709A/QR/-X	TRANSISTOR		
Q7003	or 2SA1530A/QR/-X	TRANSISTOR		
Q7004	2SA1037AK/QR/-X	TRANSISTOR		
Q7004	or 2SB709A/QR/-X	TRANSISTOR		
Q7004	or 2SA1530A/QR/-X	TRANSISTOR		
Q7005	2SA1037AK/QR/-X	TRANSISTOR		
Q7005	or 2SB709A/QR/-X	TRANSISTOR		
Q7005	or 2SA1530A/QR/-X	TRANSISTOR		
Q7006	2SA1037AK/QR/-X	TRANSISTOR		
Q7006	or 2SB709A/QR/-X	TRANSISTOR		
Q7006	or 2SA1530A/QR/-X	TRANSISTOR		
Q7007	2SA1037AK/QR/-X	TRANSISTOR		
Q7007	or 2SB709A/QR/-X	TRANSISTOR		

Symbol No.	Part No.	Part Name	Description	Local
Q7007	or 2SA1530A/QR/-X	TRANSISTOR		
Q7008	2SC2412K/QRS/-X	TRANSISTOR		
Q7008	or 2SD601A/QRS/-X	TRANSISTOR		
Q7008	or 2SC3928A/QRS/-X	TRANSISTOR		
Q7009	2SC2412K/QRS/-X	TRANSISTOR		
Q7009	or 2SD601A/QRS/-X	TRANSISTOR		
Q7009	or 2SC3928A/QRS/-X	TRANSISTOR		
Q7010	2SC2412K/QRS/-X	TRANSISTOR		
Q7010	or 2SD601A/QRS/-X	TRANSISTOR		
Q7010	or 2SC3928A/QRS/-X	TRANSISTOR		
Q7011	2SC2412K/QRS/-X	TRANSISTOR		
Q7011	or 2SD601A/QRS/-X	TRANSISTOR		
Q7011	or 2SC3928A/QRS/-X	TRANSISTOR		
Q7012	2SC2412K/QRS/-X	TRANSISTOR		
Q7012	or 2SD601A/QRS/-X	TRANSISTOR		
Q7012	or 2SC3928A/QRS/-X	TRANSISTOR		
Q7013	2SC2412K/QRS/-X	TRANSISTOR		
Q7013	or 2SD601A/QRS/-X	TRANSISTOR		
Q7013	or 2SC3928A/QRS/-X	TRANSISTOR		
Q7014	2SC2412K/QRS/-X	TRANSISTOR		
Q7014	or 2SD601A/QRS/-X	TRANSISTOR		
Q7014	or 2SC3928A/QRS/-X	TRANSISTOR		
D7006	SLR-343MC-T	LED		DVD
C7011	QEKJ0JM-476Z	E CAPACITOR	47uF 6.3V M	
R7001	NRSA63J-151X	MG RESISTOR	150Ω 1/16W J	
R7002	NRSA63J-151X	MG RESISTOR	150Ω 1/16W J	
R7003	NRSA63J-151X	MG RESISTOR	150Ω 1/16W J	
R7004	NRSA63J-151X	MG RESISTOR	150Ω 1/16W J	
R7005	NRSA63J-151X	MG RESISTOR	150Ω 1/16W J	
R7006	NRSA63J-151X	MG RESISTOR	150Ω 1/16W J	
R7007	NRSA63J-151X	MG RESISTOR	150Ω 1/16W J	
R7010	NRSA63J-103X	MG RESISTOR	10kΩ 1/16W J	
R7011	NRSA63J-122X	MG RESISTOR	1.2kΩ 1/16W J	
R7012	NRSA63J-182X	MG RESISTOR	1.8kΩ 1/16W J	
R7013	NRSA63J-222X	MG RESISTOR	2.2kΩ 1/16W J	
R7014	NRSA63J-272X	MG RESISTOR	2.7kΩ 1/16W J	
R7015	NRSA63J-472X	MG RESISTOR	4.7kΩ 1/16W J	
R7020	NRSA63J-103X	MG RESISTOR	10kΩ 1/16W J	
R7021	NRSA63J-122X	MG RESISTOR	1.2kΩ 1/16W J	
R7022	NRSA63J-182X	MG RESISTOR	1.8kΩ 1/16W J	
R7023	NRSA63J-222X	MG RESISTOR	2.2kΩ 1/16W J	
R7031	NRSA63J-472X	MG RESISTOR	4.7kΩ 1/16W J	
R7032	NRSA63J-472X	MG RESISTOR	4.7kΩ 1/16W J	
R7033	NRSA63J-472X	MG RESISTOR	4.7kΩ 1/16W J	
R7034	NRSA63J-472X	MG RESISTOR	4.7kΩ 1/16W J	
R7035	NRSA63J-472X	MG RESISTOR	4.7kΩ 1/16W J	
R7036	NRSA63J-472X	MG RESISTOR	4.7kΩ 1/16W J	
R7037	NRSA63J-472X	MG RESISTOR	4.7kΩ 1/16W J	
R7040	NRSA63J-0R0X	MG RESISTOR	0Ω 1/16W J	
R7041	NRSA63J-331X	MG RESISTOR	330Ω 1/16W J	
CN7003	QGF1208F1-22	CONNECTOR	FFC/FPC (1-22)	
DI7001	ZDP-17902AEG-21	LED		
S7001	QSW1061-001Z	TACT SWITCH	DVD OPEN/CLOSE	
S7002	QSW1061-001Z	TACT SWITCH	SCAN MODE	
S7003	QSW1061-001Z	TACT SWITCH	PR+	
S7004	QSW1061-001Z	TACT SWITCH	FF	
S7005	QSW1061-001Z	TACT SWITCH	REW	
S7006	QSW1061-001Z	TACT SWITCH	REC	
S7010	QSW1061-001Z	TACT SWITCH	PR-	
S7013	QSW1061-001Z	TACT SWITCH	VCR/DVD	
S7016	QSW1061-001Z	TACT SWITCH	PLAY	
S7017	QSW1061-001Z	TACT SWITCH	STOP	

MODEL	MARK
HR-XV38SAA	A
HR-XV38SAS	B

Bracket board

Block No. [3][1]

△ Symbol No.	Part No.	Part Name	Description	Local
PW1	LPA10261-02A4	BRACKET BOARD ASSY		
BK1	LP40425-001A	BRACKET(PWB)		(x2)

Switch/jack board

Block No. [3][6]

△ Symbol No.	Part No.	Part Name	Description	Local
PW1	LPA10261-02A3	SWITCH/JACK BOARD ASSY		
D7005	SLR-343MC-T	LED		VCR
C7192	NCB31HK-681X	C CAPACITOR	680pF 50V K	
C7193	NCB31HK-681X	C CAPACITOR	680pF 50V K	
C7194	NCB31HK-681X	C CAPACITOR	680pF 50V K	
C7195	NCB31HK-681X	C CAPACITOR	680pF 50V K	
R7025	NRSA63J-472X	MG RESISTOR	4.7kΩ 1/16W J	
R7026	NRSA63J-393X	MG RESISTOR	39kΩ 1/16W J	
R7027	NRSA63J-103X	MG RESISTOR	10kΩ 1/16W J	
R7042	NRSA63J-331X	MG RESISTOR	330Ω 1/16W J	
R7191	NRSA63J-750X	MG RESISTOR	75Ω 1/16W J	
R7192	NRSA63J-0R0X	MG RESISTOR	0Ω 1/16W J	
R7193	NRSA63J-101X	MG RESISTOR	100Ω 1/16W J	
R7194	NRSA63J-101X	MG RESISTOR	100Ω 1/16W J	
R7195	NRSA63J-101X	MG RESISTOR	100Ω 1/16W J	
CN7191	QGF1201F2-10	CONNECTOR	FFC/FPC (1-10)	
J7191	QNN0591-001	PIN JACK	FRONT VIDEO/AUDIO	
S7014	QSW1061-001Z	TACT SWITCH	STANDBY/ON	
S7015	QSW1061-001Z	TACT SWITCH	CASSETTE EJECT	

Loading motor board

Block No. [5][5]

△ Symbol No.	Part No.	Part Name	Description	Local
PW1	LPA10158-01A2	LOADING MOTOR BOARD ASSY		

Switch board

Block No. [9][8]

△ Symbol No.	Part No.	Part Name	Description	Local
CN1	QGF1016F3-05	CONNECTOR	FFC/FPC (1-5)	
S1	QSW1007-001	DETECT SWITCH		

DVD servo control board

Block No. [9][9]

△ Symbol No.	Part No.	Part Name	Description	Local
IC201	LA6502-X	IC		
IC301	MN2DS0003AA-H	IC		
IC302	LM1117MP-ADJ-X	IC	1.5V REG	
IC453	S-80827CNNB-G-W	IC		

△ Symbol No.	Part No.	Part Name	Description	Local
IC505	K4S641632H-UC75	IC		
IC509	SA16M90TF-R0062	IC(FLASH)	(SERVICE)	
IC701	AK4384ET-X	IC		
Q101	KTA1001/Y/-X	TRANSISTOR		
Q101	or 2SB1424/R/-W	TRANSISTOR		
Q102	2SC4617/R/-X	TRANSISTOR		
Q103	KTA1001/Y/-X	TRANSISTOR		
Q103	or 2SB1424/R/-W	TRANSISTOR		
Q104	2SC4617/R/-X	TRANSISTOR		
Q105	UN2119-X	TRANSISTOR		
C101	NCB31CK-104X	C CAPACITOR	0.1uF 16V K	
C102	NCB31CK-104X	C CAPACITOR	0.1uF 16V K	
C103	NCB31CK-104X	C CAPACITOR	0.1uF 16V K	
C104	NCB31CK-104X	C CAPACITOR	0.1uF 16V K	
C105	NEAF0JM-476X	E CAPACITOR	47uF 6.3V M	
C106	NBE20JM-226X	TA E CAPACITOR	22uF 6.3V M	
C107	NCB31CK-104X	C CAPACITOR	0.1uF 16V K	
C108	NEAF0JM-476X	E CAPACITOR	47uF 6.3V M	
C111	NCB31CK-104X	C CAPACITOR	0.1uF 16V K	
C204	NCB31CK-104X	C CAPACITOR	0.1uF 16V K	
C205	NCB31HK-271X	C CAPACITOR	270pF 50V K	
C206	NDC31HJ-151X	C CAPACITOR	150pF 50V J	
C208	NCB31HK-561X	C CAPACITOR	560pF 50V K	
C211	NCB31HK-223X	C CAPACITOR	0.022uF 50V K	
C212	NCB31CK-103X	C CAPACITOR	0.01uF 16V K	
C217	NCB31CK-104X	C CAPACITOR	0.1uF 16V K	
C251	NCB31AK-474X	C CAPACITOR	0.47uF 10V K	
C253	NCB31HK-561X	C CAPACITOR	560pF 50V K	
C255	NCB31CK-153X	C CAPACITOR	0.015uF 16V K	
C256	NCB31CK-104X	C CAPACITOR	0.1uF 16V K	
C257	NCB31HK-822X	C CAPACITOR	8200pF 50V K	
C258	NCB31CK-153X	C CAPACITOR	0.015uF 16V K	
C259	NCB31CK-153X	C CAPACITOR	0.015uF 16V K	
C260	NCB31EK-223X	C CAPACITOR	0.022uF 25V K	
C261	NCB31EK-223X	C CAPACITOR	0.022uF 25V K	
C262	NCB31EK-223X	C CAPACITOR	0.022uF 25V K	
C264	NEAF0JM-227X	E CAPACITOR	220uF 6.3V M	
C301	NEAF0GM-227X	E CAPACITOR	220uF 4V M	
C302	NEAF0GM-476X	E CAPACITOR	47uF 4V M	
C303	NEAF0GM-476X	E CAPACITOR	47uF 4V M	
C304	NCB31CK-105X	C CAPACITOR	1uF 16V K	
C305	NCB31CK-104X	C CAPACITOR	0.1uF 16V K	
C306	NCB31CK-104X	C CAPACITOR	0.1uF 16V K	
C307	NCB31CK-104X	C CAPACITOR	0.1uF 16V K	
C308	NCB31CK-104X	C CAPACITOR	0.1uF 16V K	
C309	NCB31CK-104X	C CAPACITOR	0.1uF 16V K	
C310	NCB31CK-104X	C CAPACITOR	0.1uF 16V K	
C311	NCB31CK-104X	C CAPACITOR	0.1uF 16V K	
C312	NCB31CK-104X	C CAPACITOR	0.1uF 16V K	
C313	NCB31CK-104X	C CAPACITOR	0.1uF 16V K	
C314	NCB31CK-104X	C CAPACITOR	0.1uF 16V K	
C315	NCB31CK-104X	C CAPACITOR	0.1uF 16V K	
C316	NCB31CK-104X	C CAPACITOR	0.1uF 16V K	
C317	NCB31CK-104X	C CAPACITOR	0.1uF 16V K	
C318	NCB31CK-104X	C CAPACITOR	0.1uF 16V K	
C319	NCB31CK-104X	C CAPACITOR	0.1uF 16V K	
C320	NCB31CK-104X	C CAPACITOR	0.1uF 16V K	
C321	NCB31CK-104X	C CAPACITOR	0.1uF 16V K	
C322	NCB31CK-104X	C CAPACITOR	0.1uF 16V K	
C323	NCB31CK-104X	C CAPACITOR	0.1uF 16V K	
C324	NCB21CK-105X	C CAPACITOR	1uF 16V K	
C325	NDC31HJ-180X	C CAPACITOR	18pF 50V J	
C326	NDC31HJ-150X	C CAPACITOR	15pF 50V J	
C327	NCB31HK-103X	C CAPACITOR	0.01uF 50V K	
C330	NCB31CK-104X	C CAPACITOR	0.1uF 16V K	
C331	NCB31CK-333X	C CAPACITOR	0.033uF 16V K	
C332	NCB31CK-104X	C CAPACITOR	0.1uF 16V K	
C333	NCB31CK-104X	C CAPACITOR	0.1uF 16V K	
C334	NCB31CK-104X	C CAPACITOR	0.1uF 16V K	
C335	NCB31CK-104X	C CAPACITOR	0.1uF 16V K	
C337	NCB31CK-183X	C CAPACITOR	0.018uF 16V K	
C338	NCB31HK-562X	C CAPACITOR	5600pF 50V K	
C339	NCB31CK-104X	C CAPACITOR	0.1uF 16V K	
C340	NCB21CK-105X	C CAPACITOR	1uF 16V K	
C341	NCB30JK-105X	C CAPACITOR	1uF 6.3V K	
C347	NCB31CK-104X	C CAPACITOR	0.1uF 16V K	

MODEL	MARK
HR-XV38SAA	A
HR-XV38SAS	B

△ Symbol No.	Part No.	Part Name	Description	Local	△ Symbol No.	Part No.	Part Name	Description	Local
C348	NCB31CK-104X	C CAPACITOR	0.1uF 16V K		R302	NRSA63J-240X	MG RESISTOR	24Ω 1/16W J	
C349	NCB31CK-104X	C CAPACITOR	0.1uF 16V K		R303	NRSA63J-270X	MG RESISTOR	27Ω 1/16W J	
C350	NCB31CK-104X	C CAPACITOR	0.1uF 16V K		R306	NRSA63J-102X	MG RESISTOR	1kΩ 1/16W J	
C356	NCB21CK-105X	C CAPACITOR	1uF 16V K		R307	NRSA63J-102X	MG RESISTOR	1kΩ 1/16W J	
C359	NCB31CK-104X	C CAPACITOR	0.1uF 16V K		R308	NRSA63J-223X	MG RESISTOR	22kΩ 1/16W J	
C371	NCB21CK-105X	C CAPACITOR	1uF 16V K		R309	NRSA63J-104X	MG RESISTOR	100kΩ 1/16W J	
C374	NCB31CK-104X	C CAPACITOR	0.1uF 16V K		R310	NRS125J-R47X	MG RESISTOR	0.47Ω 1/2W J	
C391	NCB31CK-104X	C CAPACITOR	0.1uF 16V K		R312	NRSA63J-0R0X	MG RESISTOR	0Ω 1/16W J	
C392	NCB31CK-104X	C CAPACITOR	0.1uF 16V K		R313	NRSA63J-0R0X	MG RESISTOR	0Ω 1/16W J	
C455	NCB31CK-103X	C CAPACITOR	0.01uF 16V K		R314	NRSA63J-0R0X	MG RESISTOR	0Ω 1/16W J	
C505	NDC31HJ-330X	C CAPACITOR	33pF 50V J		R315	NRSA63J-0R0X	MG RESISTOR	0Ω 1/16W J	
C506	NDC31HJ-330X	C CAPACITOR	33pF 50V J		R316	NRSA63J-0R0X	MG RESISTOR	0Ω 1/16W J	
C507	NDC31HJ-330X	C CAPACITOR	33pF 50V J		R317	NRSA63J-0R0X	MG RESISTOR	0Ω 1/16W J	
C508	NDC31HJ-330X	C CAPACITOR	33pF 50V J		R318	NRSA63J-333X	MG RESISTOR	33kΩ 1/16W J	
C509	NDC31HJ-330X	C CAPACITOR	33pF 50V J		R319	NRSA63J-0R0X	MG RESISTOR	0Ω 1/16W J	
C510	NDC31HJ-330X	C CAPACITOR	33pF 50V J		R320	NRSA63J-103X	MG RESISTOR	10kΩ 1/16W J	
C547	NCB31CK-104X	C CAPACITOR	0.1uF 16V K		R322	NRSA63J-473X	MG RESISTOR	47kΩ 1/16W J	
C551	NCB31CK-104X	C CAPACITOR	0.1uF 16V K		R325	NRSA63J-331X	MG RESISTOR	330Ω 1/16W J	
C552	NCB31CK-104X	C CAPACITOR	0.1uF 16V K		R326	NRSA63J-331X	MG RESISTOR	330Ω 1/16W J	
C553	NBE20JM-226X	TA E CAPACITOR	22uF 6.3V M		R333	NRSA63J-163X	MG RESISTOR	16kΩ 1/16W J	
C554	NCB31CK-104X	C CAPACITOR	0.1uF 16V K		R334	NRSA63J-151X	MG RESISTOR	150Ω 1/16W J	
C555	NCB31CK-104X	C CAPACITOR	0.1uF 16V K		R335	NRSA63J-151X	MG RESISTOR	150Ω 1/16W J	
C556	NCB31CK-104X	C CAPACITOR	0.1uF 16V K		R336	NRSA63J-151X	MG RESISTOR	150Ω 1/16W J	
C557	NCF31AZ-105X	C CAPACITOR	1uF 10V Z		R337	NRSA63J-151X	MG RESISTOR	150Ω 1/16W J	
C558	NCB31CK-104X	C CAPACITOR	0.1uF 16V K		R338	NRSA63J-0R0X	MG RESISTOR	0Ω 1/16W J	
C559	NCB31CK-104X	C CAPACITOR	0.1uF 16V K		R339	NRSA63J-0R0X	MG RESISTOR	0Ω 1/16W J	
C701	NCB31CK-104X	C CAPACITOR	0.1uF 16V K		R340	NRSA63D-303X	MG RESISTOR	30kΩ 1/16W D	
C704	NEAF0JM-227X	E CAPACITOR	220uF 6.3V M		R341	NRSA63D-362X	MG RESISTOR	3.6kΩ 1/16W D	
C706	NEAF1CM-106X	E CAPACITOR	10uF 16V M		R342	NRSA63D-222X	MG RESISTOR	2.2kΩ 1/16W D	
C707	NCB31CK-104X	C CAPACITOR	0.1uF 16V K		R343	NRSA63J-0R0X	MG RESISTOR	0Ω 1/16W J	
C721	NCB31HK-102X	C CAPACITOR	1000pF 50V K		R344	NRSA63J-6R8X	MG RESISTOR	6.8Ω 1/16W J	
C902	NCB31CK-104X	C CAPACITOR	0.1uF 16V K		R345	NQR0129-002X	FERRITE BEADS		
C903	NCB31CK-104X	C CAPACITOR	0.1uF 16V K		R351	NRSA63J-681X	MG RESISTOR	680Ω 1/16W J	
C904	NCB31CK-104X	C CAPACITOR	0.1uF 16V K		R352	NRSA63J-105X	MG RESISTOR	1MΩ 1/16W J	
C906	NCB31CK-104X	C CAPACITOR	0.1uF 16V K		R357	NRSA63J-101X	MG RESISTOR	100Ω 1/16W J	
R101	NRSA63J-101X	MG RESISTOR	100Ω 1/16W J		R358	NRSA63J-101X	MG RESISTOR	100Ω 1/16W J	
R102	NRSA63J-101X	MG RESISTOR	100Ω 1/16W J		R361	NRSA63J-101X	MG RESISTOR	100Ω 1/16W J	
R103	NRSA63J-243X	MG RESISTOR	24kΩ 1/16W J		R362	NRSA63J-331X	MG RESISTOR	330Ω 1/16W J	
R104	NRSA63J-303X	MG RESISTOR	30kΩ 1/16W J		R363	NRSA63J-151X	MG RESISTOR	150Ω 1/16W J	
R105	NRS125J-180X	MG RESISTOR	18Ω 1/2W J		R372	NRSA63J-102X	MG RESISTOR	1kΩ 1/16W J	
R106	NRSA63J-2R2X	MG RESISTOR	2.2Ω 1/16W J		R373	NRSA63J-102X	MG RESISTOR	1kΩ 1/16W J	
R107	NRSA63J-102X	MG RESISTOR	1kΩ 1/16W J		R378	NRSA63J-102X	MG RESISTOR	1kΩ 1/16W J	
R108	NRSA63J-471X	MG RESISTOR	470Ω 1/16W J		R379	NRSA63J-102X	MG RESISTOR	1kΩ 1/16W J	
R109	NRSA63J-331X	MG RESISTOR	330Ω 1/16W J		R384	NRSA63J-102X	MG RESISTOR	1kΩ 1/16W J	
R110	NRSA63J-0R0X	MG RESISTOR	0Ω 1/16W J		R385	NRSA63J-102X	MG RESISTOR	1kΩ 1/16W J	
R111	NRSA63J-243X	MG RESISTOR	24kΩ 1/16W J		R390	NRSA63J-472X	MG RESISTOR	4.7kΩ 1/16W J	
R112	NRSA63J-303X	MG RESISTOR	30kΩ 1/16W J		R391	NAD0025-103X	N THERMISTOR	10kΩ	
R113	NRS125J-270X	MG RESISTOR	27Ω 1/2W J		R392	NRSA63J-103X	MG RESISTOR	10kΩ 1/16W J	
R114	NRSA63J-2R2X	MG RESISTOR	2.2Ω 1/16W J		R393	NRSA63J-0R0X	MG RESISTOR	0Ω 1/16W J	
R115	NRSA63J-101X	MG RESISTOR	100Ω 1/16W J		R394	NRSA63J-0R0X	MG RESISTOR	0Ω 1/16W J	
R116	NRSA63J-471X	MG RESISTOR	470Ω 1/16W J		R395	NRSA02J-0R0X	MG RESISTOR	0Ω 1/10W J	
R117	NRSA63J-331X	MG RESISTOR	330Ω 1/16W J		R457	NRSA63J-0R0X	MG RESISTOR	0Ω 1/16W J	
R118	NRSA63J-0R0X	MG RESISTOR	0Ω 1/16W J		R458	NRSA63J-102X	MG RESISTOR	1kΩ 1/16W J	
R119	NRSA63J-0R0X	MG RESISTOR	0Ω 1/16W J		R501	NRSA63J-471X	MG RESISTOR	470Ω 1/16W J	
R120	NRSA63J-0R0X	MG RESISTOR	0Ω 1/16W J		R502	NRSA63J-471X	MG RESISTOR	470Ω 1/16W J	
R122	NRSA63J-0R0X	MG RESISTOR	0Ω 1/16W J		R503	NRSA63J-101X	MG RESISTOR	100Ω 1/16W J	
R123	NRSA63J-0R0X	MG RESISTOR	0Ω 1/16W J		R551	NRSA63J-102X	MG RESISTOR	1kΩ 1/16W J	
R125	NRS125J-1R0X	MG RESISTOR	1Ω 1/2W J		R553	NRSA63J-151X	MG RESISTOR	150Ω 1/16W J	
R126	NRSA02J-101X	MG RESISTOR	100Ω 1/10W J		R554	NRSA63J-151X	MG RESISTOR	150Ω 1/16W J	
R128	NRSA63J-0R0X	MG RESISTOR	0Ω 1/16W J		R555	NRSA63J-151X	MG RESISTOR	150Ω 1/16W J	
R204	NRSA63J-273X	MG RESISTOR	27kΩ 1/16W J		R556	NRSA63J-151X	MG RESISTOR	150Ω 1/16W J	
R205	NRSA63J-273X	MG RESISTOR	27kΩ 1/16W J		R557	NRSA63J-151X	MG RESISTOR	150Ω 1/16W J	
R206	NRSA63J-303X	MG RESISTOR	30kΩ 1/16W J		R558	NRSA63J-102X	MG RESISTOR	1kΩ 1/16W J	
R207	NRSA63J-473X	MG RESISTOR	47kΩ 1/16W J		R701	NRSA63J-100X	MG RESISTOR	10Ω 1/16W J	
R208	NRSA63J-223X	MG RESISTOR	22kΩ 1/16W J		R702	NRSA63J-0R0X	MG RESISTOR	0Ω 1/16W J	
R213	NRSA63J-103X	MG RESISTOR	10kΩ 1/16W J		R710	NRSA63J-100X	MG RESISTOR	10Ω 1/16W J	
R214	NRSA63J-103X	MG RESISTOR	10kΩ 1/16W J		R711	NRSA63J-101X	MG RESISTOR	100Ω 1/16W J	
R215	NRSA63J-103X	MG RESISTOR	10kΩ 1/16W J		R712	NRSA63J-101X	MG RESISTOR	100Ω 1/16W J	
R219	NRSA63J-183X	MG RESISTOR	18kΩ 1/16W J		R713	NRSA63J-101X	MG RESISTOR	100Ω 1/16W J	
R220	NRSA63J-243X	MG RESISTOR	24kΩ 1/16W J		R716	NRSA63J-0R0X	MG RESISTOR	0Ω 1/16W J	
R221	NRSA63J-682X	MG RESISTOR	6.8kΩ 1/16W J		R718	NRSA63J-473X	MG RESISTOR	47kΩ 1/16W J	
R251	NRS125J-R47X	MG RESISTOR	0.47Ω 1/2W J		R719	NRSA63J-0R0X	MG RESISTOR	0Ω 1/16W J	
R252	NRSA63J-2R2X	MG RESISTOR	2.2Ω 1/16W J		R909	NRSA02J-0R0X	MG RESISTOR	0Ω 1/10W J	
R254	NRSA63J-203X	MG RESISTOR	20kΩ 1/16W J		R911	NRSA02J-0R0X	MG RESISTOR	0Ω 1/10W J	
R255	NRSA63J-103X	MG RESISTOR	10kΩ 1/16W J		CN101	QGF0523F1-24W	CONNECTOR	FFC/FPC (1-24)	
R257	NRSA63J-0R0X	MG RESISTOR	0Ω 1/16W J		CN201	QGF1016F2-08W	CONNECTOR	FFC/FPC (1-8)	
R259	NRSA63J-103X	MG RESISTOR	10kΩ 1/16W J		CN501	QGF1016F2-19W	CONNECTOR	FFC/FPC (1-19)	

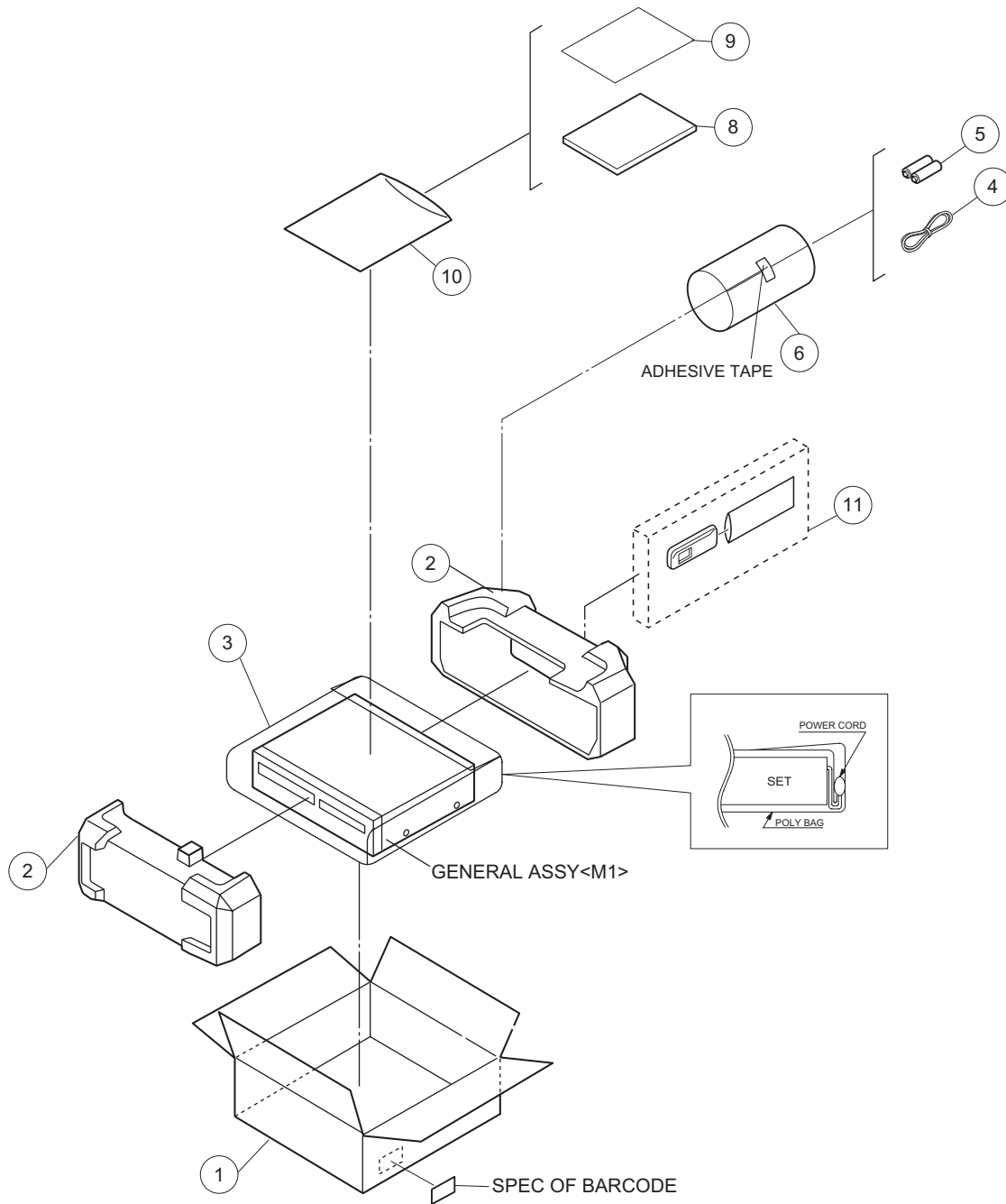
MODEL	MARK
HR-XV38SAA	A
HR-XV38SAS	B

△ Symbol No.	Part No.	Part Name	Description	Local
CN503	QGF1016F2-17W	CONNECTOR	FFC/FPC (1-17)	
K101	NRSA02J-0R0X	MG RESISTOR	0Ω 1/10W J	
K102	NRSA02J-0R0X	MG RESISTOR	0Ω 1/10W J	
K301	NRSA02J-0R0X	MG RESISTOR	0Ω 1/10W J	
K302	NRSA63J-101X	MG RESISTOR	100Ω 1/16W J	
K303	NRSA63J-101X	MG RESISTOR	100Ω 1/16W J	
K304	NRSA02J-0R0X	MG RESISTOR	0Ω 1/10W J	
K501	NRSA63J-0R0X	MG RESISTOR	0Ω 1/16W J	
K502	NQR0502-001X	FERRITE BEADS		
K551	NQR0129-002X	FERRITE BEADS		
K552	NQR0129-002X	FERRITE BEADS		
K553	NQR0129-002X	FERRITE BEADS		
K554	NQR0129-002X	FERRITE BEADS		
K555	NQR0022-005X	FERRITE BEADS		
K556	NQR0129-002X	FERRITE BEADS		
X351	NAX0550-001X	CRYSTAL	27.000MHz	

Packing materials and accessories parts list

The instruction manual to be provided with this product will differ according to the destination.

Block No. M5MM



MODEL	MARK
HR-XV38SAA	A
HR-XV38SAS	B

Packing and accessories

Block No. [M][5][M][M]

△ Symbol No.	Part No.	Part Name	Description	Local
1	LP31296-015A	PACKING CASE		A
1	LP31296-017A	PACKING CASE		B
2	LP31295-001B	CUSHION ASSY		
3	LP41038-001A	POLY BAG		
4	QAM0505-001	RF CABLE		
5	-----	BATTERY	R6 TYPE(x2)	
6	QPC02202230P	POLY BAG	22cm x 22cm	
△ 8	LPT1015-001A	INST.BOOK	(ENGLISH)	A
△ 8	LPT1016-001B	INST.BOOK	(ENGLISH)	B
△ 8	LPT1016-003B	INST.BOOK	(ARABIC)	B
9	-----	WARRANTY CARD	BT-56012-1	A
10	QPC02503530P	POLY BAG	25cm x 35cm	
11	RM-SHR004E	REMOCON		